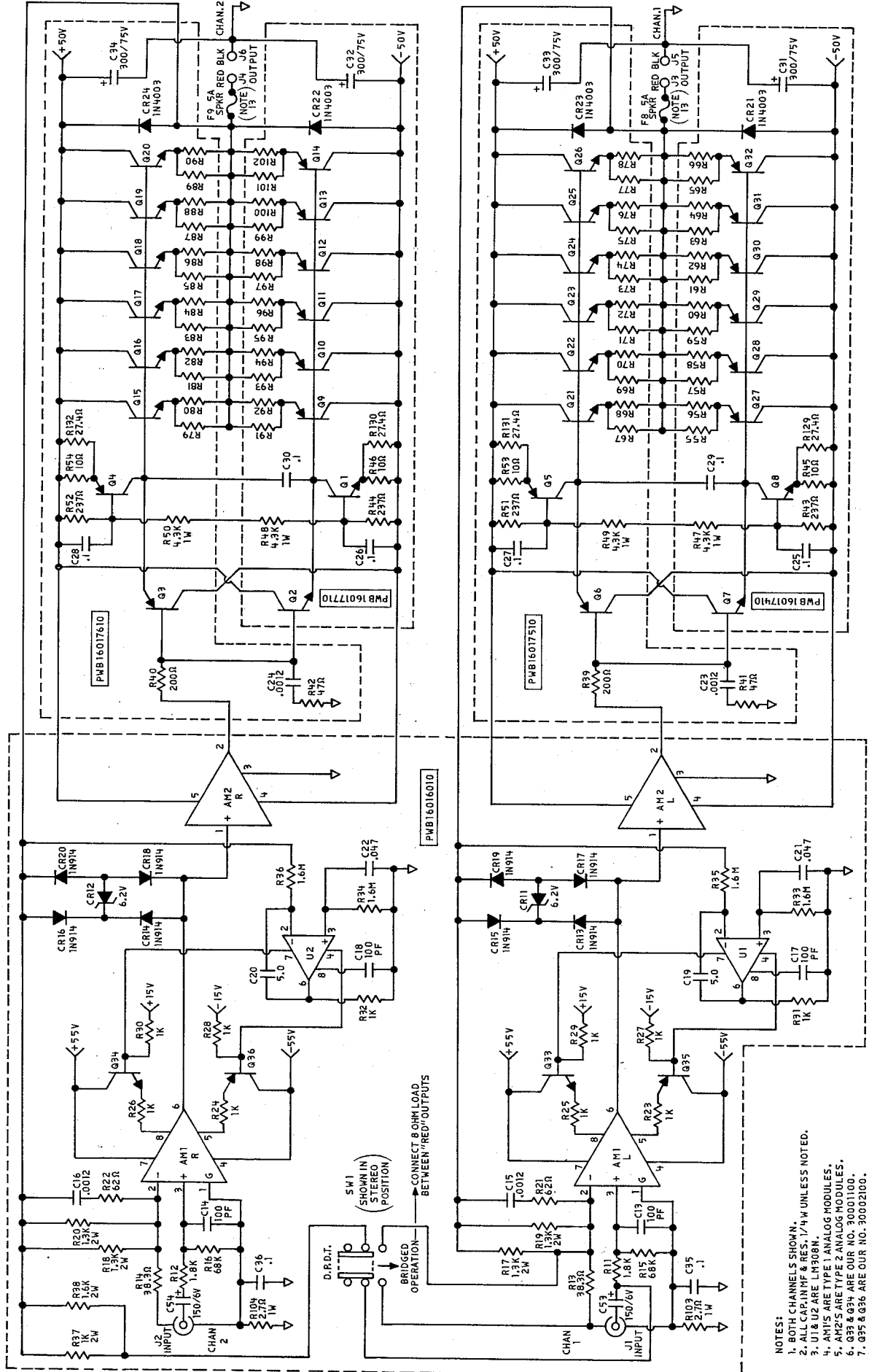


MODEL D-110B AMPLIFIER

SCHEMATIC & PARTS LIST

**audio research corporation**

2843 TWENTY-SIXTH AVENUE SOUTH  
MINNEAPOLIS, MINNESOTA 55406



AUDIO RESEARCH CORPORATION		MINNEAPOLIS, MINNESOTA	
DATE	7-30-79	REV.	
DESIGNER	J.C.	TESTER	
DRW.	J.C.	DATE	7/20/79
SCALE			
SCHEMATIC		910058-10 A	
D-110B AMPLIFIER			

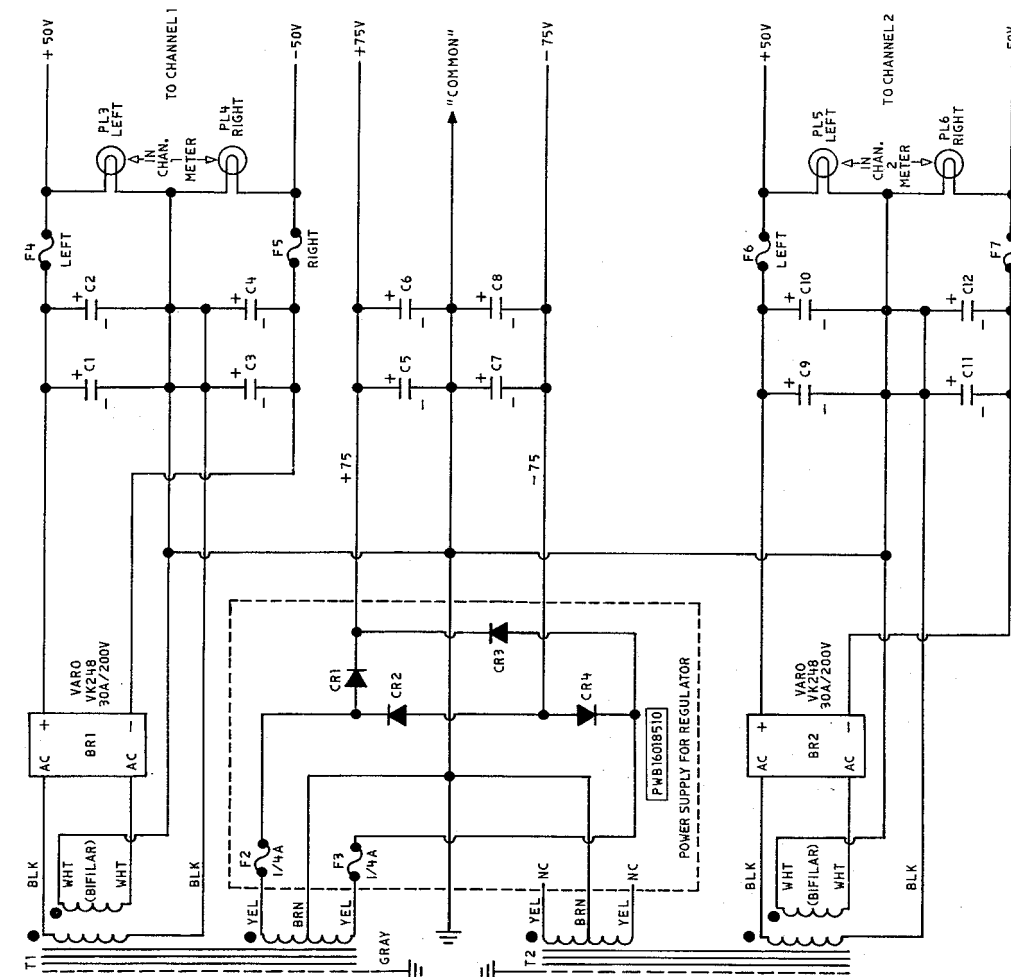
PROPRIETARY NOTICE  
 THIS PRINT CONTAINS PATENTED AND/OR OTHER INFORMATION CONSIDERED PROPRIETARY BY AUDIO RESEARCH CORPORATION AND IS FURNISHED ON A CONFIDENTIAL BASIS FOR IDENTIFICATION PURPOSES ONLY.

- NOTES:
- BOTH CHANNELS SHOWN.
  - ALL CAP. IN MF & RES. 1/4 W UNLESS NOTED.
  - U1 & U2 ARE LM308N.
  - AM1'S ARE TYPE 1 ANALOG MODULES.
  - AM2'S ARE TYPE 2 ANALOG MODULES.
  - Q3'S & Q34 ARE OUR NO. 30001100.
  - Q3'S & Q36 ARE OUR NO. 30002100.
  - Q3'S & Q36 ARE OUR NO. 30002400 | MATCHED
  - Q3'S & Q36 ARE OUR NO. 30002500 | SET
  - Q3'S & Q36 ARE OUR NO. 30002700 | MATCHED
  - Q3'S & Q36 ARE OUR NO. 30002600 | SET
  - R55 - 102 ARE 1.0R, 1W, 5%
  - R55 - 102 ARE 1.0R, 1W, 5%
  - R55 - 102 ARE 1.0R, 1W, 5%
  - R55 - 102 ARE 1.0R, 1W, 5%

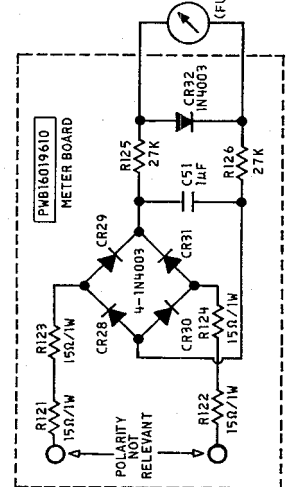
BRIDGED OPERATION -  
 CONNECT B OHM LOAD  
 BETWEEN RED-OUTPUTS

SW1  
 (SHOWN IN  
 STEREO  
 POSITION)

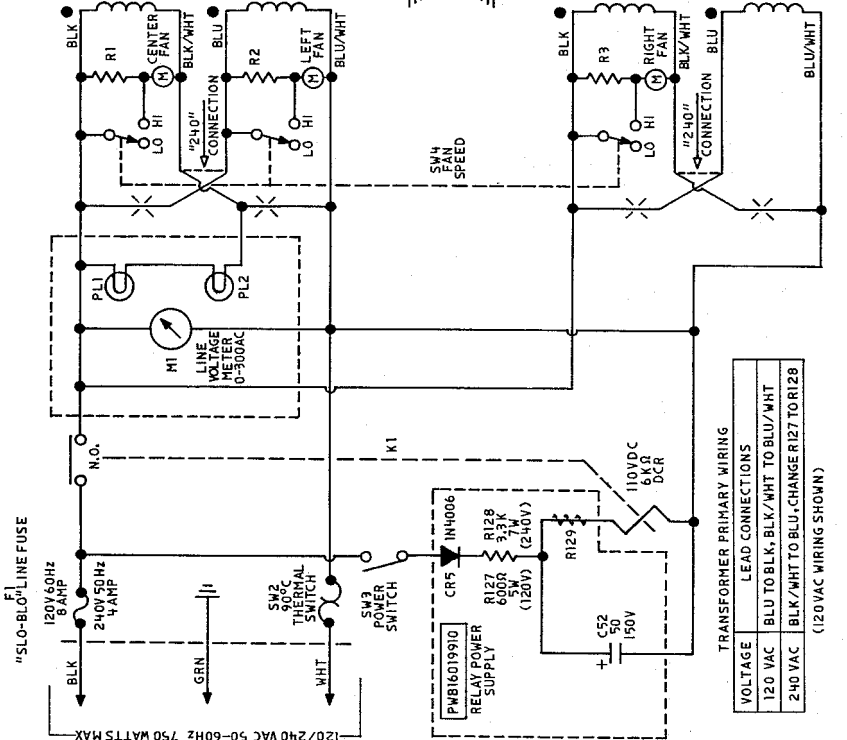
D.R.D.T.



- NOTES:
- 1- C1-4,9-12 30-1000µF,60VOLT
  - 2- C5-8 1,900µF,100 VOLT
  - 3- C4,5,4,6 WAS 90µF,75 VOLT
  - 4- CR1-4 1N4005 1A/600V
  - 5- CR5 WAS 1N4003
  - 6- R1,2,3 400Ω,5W
  - 7- R126 WAS 4.0K,5W(240V)
  - 8- R129 WAS 1.8K,2W
  - 9- PL1-6 #1835 55V/0.5A LAMP
  - 10- F2,3 250MA PIGTAIL SLO-BLO
  - 11- F4-7 3A NORMAL BLOW 16R
  - 12- F8 4A NORMAL BLOW 8R
  - 13- F9 6A NORMAL BLOW 4R

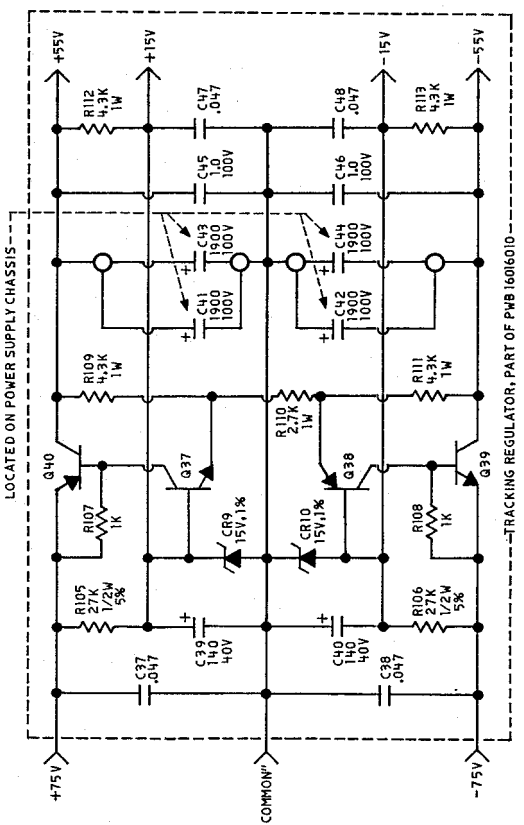


CHANNEL 1 SHOWN



TRANSFORMER PRIMARY WIRING

VOLTAGE	LEAD CONNECTIONS
120 VAC	BLU TO BLK, BLK/WHT TO BLU/WHT
240 VAC	BLK/WHT TO BLU, CHANGE R127 TO R128



LOCATED ON POWER SUPPLY CHASSIS - TRACKING REGULATOR, PART OF PWB 16016010. Q37,38 ARE M.P., OUR NO. 30001100 & 30002100. Q39, HIGARE M.P., OUR NO. 30002400 & 30002500.

**AUDIO RESEARCH CORPORATION**  
MINNEAPOLIS, MINNESOTA

SCALE	DATE	REVISED	BY	DATE
	7-20-79			
TITLE			DRAWN	
D-110B POWER SUPPLY			910057-10A	

D-110B PARTS LIST

COMPONENT	QUAN.	DESCRIPTION	VALUE	RATING	TOL.	OUR PART NO.
AM1	2	Type AM1, Analog Module				AM-1
AM2	2	Type AM2, Analog Module				AM-2
U1, U2	2	LM308N Op-Amp				31000300
Q1, 2, 7, 8, 39	5	NPN Transistor				300024XX
Q3, 4, 5, 6, 40	5	PNP Transistor				300025XX
Q9-14, 27-32	12	PNP Transistor				300027XX
Q15-26	12	NPN Transistor				300026XX
Q33, 34, 37	3	NPN Transistor				30001100
Q35, 36, 38	3	PNP Transistor				30002100
BR1, 2	2	VK248 Bridge Rectifier	200V	30A		30501900
CR1-4	4	1N4005 Diode	600V	1A		30500400
CR5	1	1N4006 Diode	800V	1A		30502200
CR9, CR10	2	0.5M15ZS1 Zener	15V	500MW	1%	30501800
CR11, CR12	2	1N5234B Zener	6.2V	500MW	5%	30502100
CR13-20	8	1N914				30500900
CR21-24, 28-32	14	1N4003 Diode	200V	1A		30501700
R1-3	3	Wire Wound	400Ω	5W		43400200
R11, 12, 31, 32	4	Carbon Comp.	1K	1/4W	5%	41100302
R13, R14	2	Metal Film	38.3Ω	1/4W	1%	42383102
R15, R16	2	Carbon Comp.	36K	1/4W	5%	41360402
R17-20	4	Metal Film	1.3K	2W	2%	46130301
R21, R22	2	Carbon Comp.	62Ω	1/4W	5%	41620102
R23-30, 107, 108	10	Metal Film	1K	1/4W	1%	42100302
R33-36	4	Carbon Comp.	1.6M	1/4W	5%	41160602
R37	1	Metal Film	1K	2W	2%	46100301
R38	1	Metal Film	1.6K	2W	2%	46160301
R39, R40	2	Carbon Comp.	200Ω	1/4W	5%	41200202
R41, R42	2	Carbon Comp.	10Ω	1/4W	5%	41100102
R43, 44, 51, 52	4	Metal Film	237Ω	1/4W	1%	42237202
R45, 46, 53, 54	4	Metal Film	10Ω	1/4W	1%	42100102
R47-50, R109, 111-113	8	Metal Film	4.3K	1W	2%	46430301
R55-102	48	Wire Wound	1.0Ω	2W	5%	43100002
R103, 104	2	Carbon Comp.	2.7Ω	2W	5%	41270004
R105-106	2	Carbon Comp.	51K	1/2W	5%	41510403
R109, 111-113	8	Metal Film	4.3K	1W	2%	46430301
R110	1	Metal Film	2.7K	1W	2%	46270301
R121-124	8	Carbon Comp.	15Ω	1W	5%	41150104
R125, 126	4	Carbon Comp.	27K	1/4W	5%	41270402
R127	1	Wire Wound	600Ω	5W	5%	43600200
R128	1	Wire Wound	3.3K	7W	5%	43330300
R129-132	4	Metal Film	27.4Ω	1/4W	1%	42274102
C1-4, 9-12	8	Electrolytic	30,000μF	60V	-10/+75%	50301000
C5-8, 41-44	8	Electrolytic	1,900μF	100V	-10/+75%	50190900
C13, C14	2	Dipped Silver Mica	390pF	500V	5%	57390200
C15, C16, 23, 24	4	Metalized Mylar	.0012μF	200V	10%	53120301
C17, C18	2	Dipped Silver Mica	100pF	500V	5%	57100201
C19, 20	2	Metalized Mylar	5.0μF	200V	10%	53500601
C21, 22, 37, 38, 47, 48	6	Metalized Mylar	.047μF	200V	10%	53470401
C25-30, 35, 36	8	Metalized Mylar	.1μF	200V	10%	53100503
C31-34	4	Metalized Mylar	.47μF	200V	10%	53470504
C39, 40	2	Electrolytic	140μF	40V	-10/+75%	50140801
C45, 46, 51	4	Metalized Mylar	1μF	100V	10%	53100600
C52	1	Electrolytic	50μF	150V		50500700
C53, 54	2	Tantalum	150μF	6V	10%	51150801
F1	1	5 A Slo-blo		125V		34500501
		8 A Slo-blo		125V		34500802
FT	1	3.2 A Slo-blo		250V		34500400
		4 A Slo-blo		250V		34500701
F2, 3	2	1/4A Slo-blo, pigtail		250V		34500101
F4-7	4	3 A Normal Blow		125V		34501600
		4 A Normal Blow		125V		34500702
		6 A Normal Blow		125V		34500600
		5 A Normal Blow		125V		34500504
F8, 9	2	Transformer				60003101
T1, 2	2	Transformer				24100500
SW1	1	Stereo-Mono Switch				24300100
SW2	1	Thermostat				24100700
SW3	1	Power Switch				24100800
SW4	1	Fan Speed Switch				23201000
J1, 2	2	Phono Jack				23102500
J3, 4	2	Binding Post - Red				23102600
J5, 6	2	Binding Post - Black				65000110
M1	1	Line Voltage Meter				65000210
M2	2	Power Monitor Meter				34000500
PL1-6	6	Pilot Lamp #1835		55V/.05A		64100100
K1	1	Relay	6KΩ	110VDC		