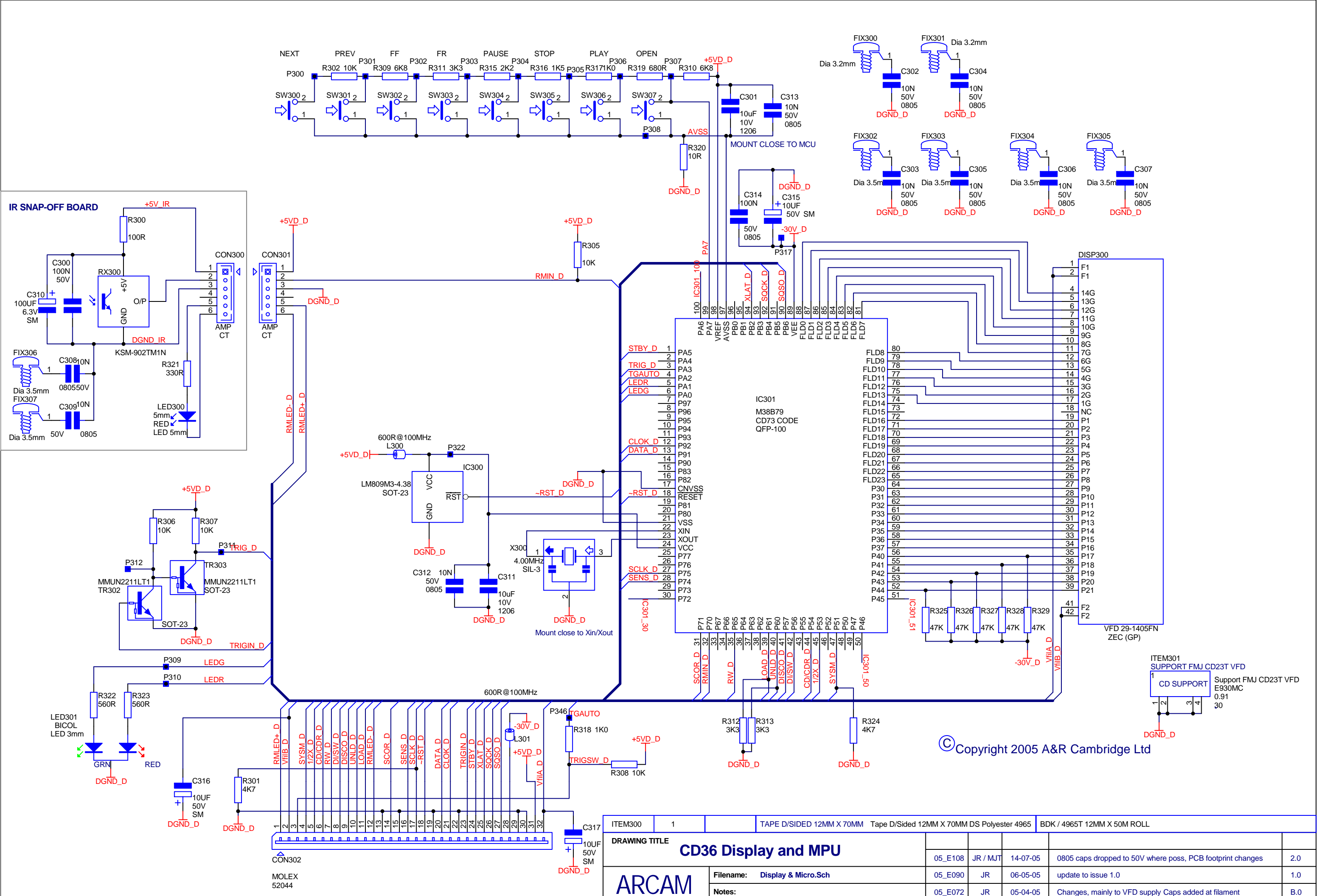


© Copyright 2005 A&R Cambridge Ltd

FD3  FD4   
 FD1  FD2

ITEM500	1	BLANK PCB CD36 MAIN Blank PCB CD36 Main 290mm x 190mm overall		L985PB	FR4 / 1.6mm	Green / White overlay
<b>DRAWING TITLE</b>						
<b>CD36 Main Board panel top level</b>				05_E108	JR / MJT	14-07-05
				05_E090	JR	06-05-05
				05_E072	JR	05-04-05
				05_E006	JR	17-01-05
				ECO No.	INITIALS	DATE
				DESCRIPTION OF CHANGE		ISSUE
<b>ARCAM</b> A & R Cambridge Ltd. Pembroke Avenue Waterbeach Cambridge CB5 9QR				Filename: CD36main.PRJ Notes:	0805 caps dropped to 50V where poss, PCB footprint changes update to issue 1.0 Changes, mainly to VFD supply First release	2.0 1.0 B.0 A.0
Contact Engineer: John Roscoe		Contact Tel: 01223 203251 (or 203200)		Printed: 14-Jul-2005		Sheet 1 of 5 A3 DRAWING NO. L985CT

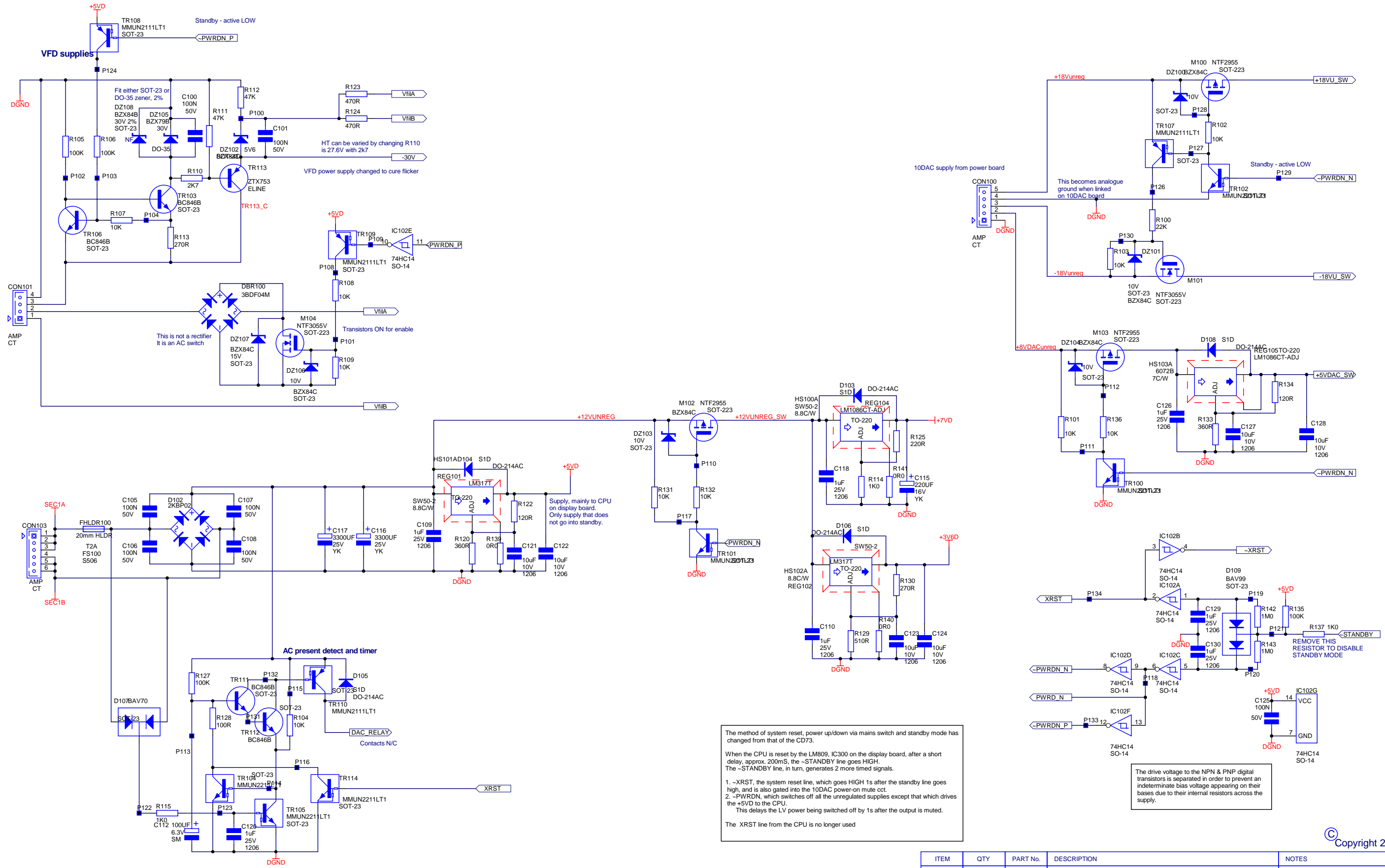


© Copyright 2005 A&R Cambridge Ltd

ITEM300	1	TAPE D/SIDED 12MM X 70MM	Tape D/Sided 12MM X 70MM DS Polyester 4965	BDK / 4965T 12MM X 50M ROLL
<b>DRAWING TITLE</b>				
<b>CD36 Display and MPU</b>				
<b>ARCAM</b> A & R Cambridge Ltd. Pembroke Avenue Waterbeach Cambridge CB5 9QR		Filename: <b>Display &amp; Micro.Sch</b>  Notes: _D suffix (i.e. -30V_D) means that the port is local to this DISPLAY board. Rs & Cs are 0805 unless otherwise stated. A 'tilde', as in ~RESET, means active LOW.	05_E108 JR / MJT 14-07-05 0805 caps dropped to 50V where poss, PCB footprint changes 2.0 05_E090 JR 06-05-05 update to issue 1.0 1.0 05_E072 JR 05-04-05 Changes, mainly to VFD supply Caps added at filament B.0 05_E006 JR 17-01-05 First release A.0	ECO No. INITIALS DATE DESCRIPTION OF CHANGE ISSUE
Contact Engineer: John Roscoe	Contact Tel: 01223 203251 (or 203200)	Printed: 14-Jul-2005	Sheet 2 of 5	A3 DRAWING NO. L985CT



# Main Board Supplies



The method of system reset, power up/down via mains switch and standby mode has changed from that of the CD73.

When the CPU is reset by the LM809, IC300 on the display board, after a short delay, approx. 200mS, the -STANDBY line goes HIGH. The -STANDBY line, in turn, generates 2 more timed signals.

- XRST, the system reset line, which goes HIGH 1s after the standby line goes high, and is also gated into the 10DAC power-on mute ckt.
- PWRDN, which switches off all the unregulated supplies except that which drives the +5VD to the CPU. This delays the LV power being switched off by 1s after the output is muted.

The XRST line from the CPU is no longer used

The drive voltage to the NPN & PNP digital transistors is separated in order to prevent an indeterminate bias voltage appearing on their bases due to their internal resistors across the supply.

Copyright 2005 A&R Cambridge Ltd

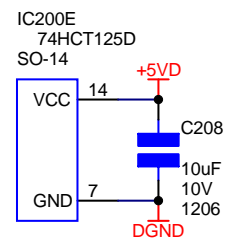
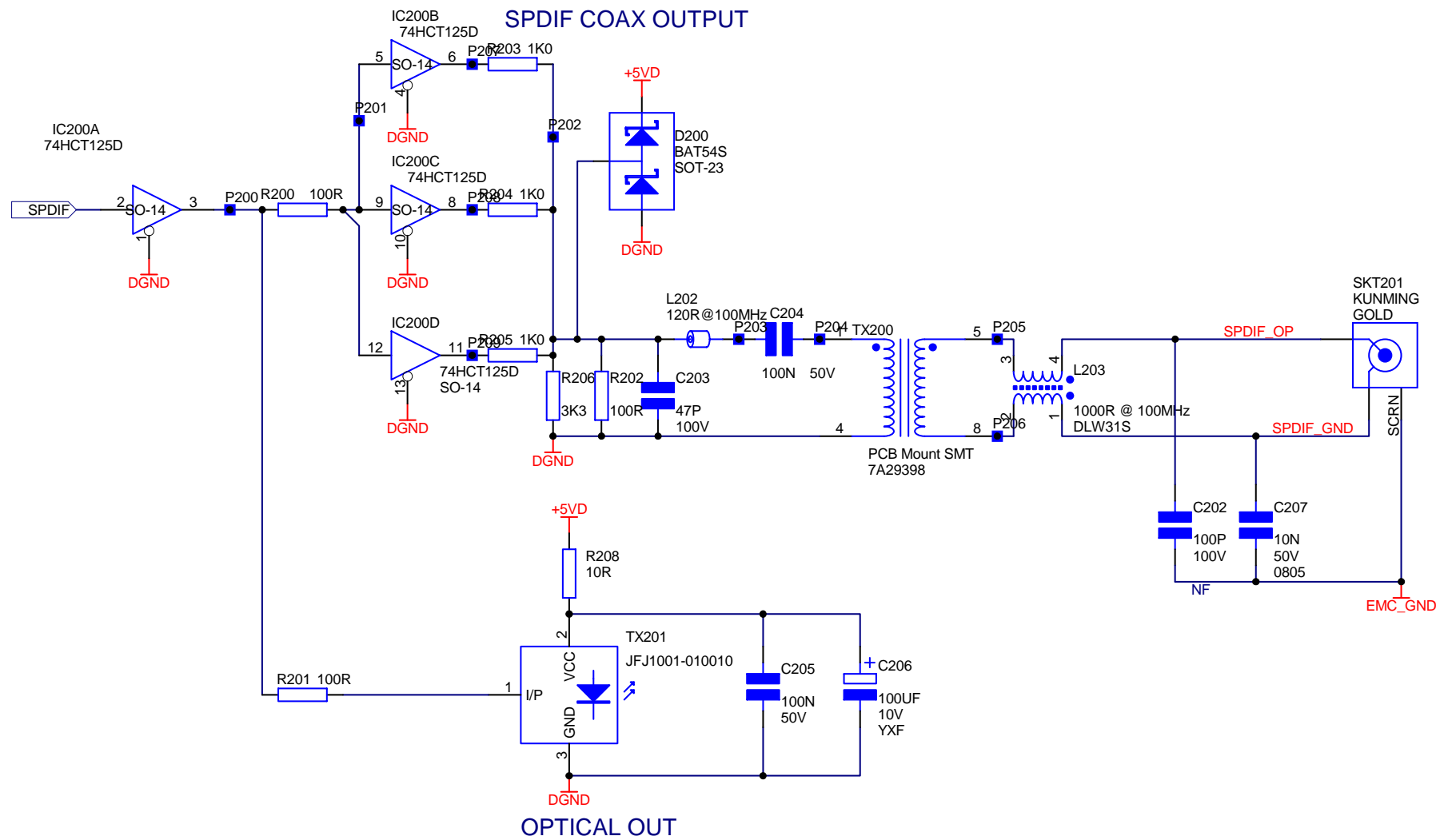
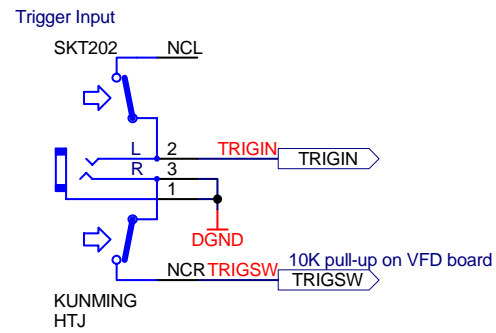
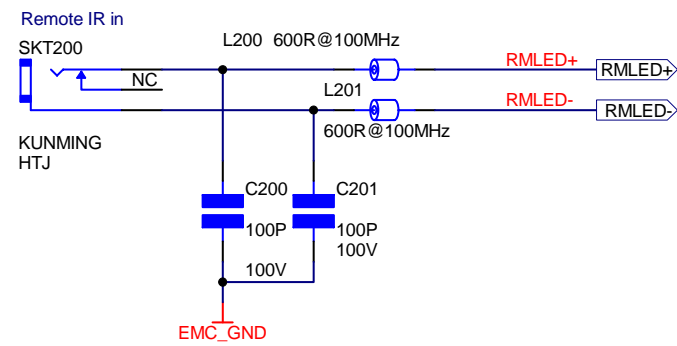
ITEM	QTY	PART No.	DESCRIPTION	NOTES
ITEM100	3	F082	Sil Pad For TO-220 HS Insulator	
ITEM103	1	HA3V10A	M Screw Torx M3x10MM ST ZP	
ITEM104	1	HJ3A00F	M3 Hex Nut Nyloc	
ITEM101	3	F006	Clip For SW Profile Heatsink	
ITEM102	1	F022	Fuseholder Cover For 20mm Fuseholder	

**DRAWING TITLE**  
**CD36 Main Board PSU Section**

**ARCAM**  
 A & R Cambridge Ltd.  
 Pembroke Avenue  
 Waterbeach  
 Cambridge CB5 9QR

Contract Engineer: John Roscoe    Contract Tel: 01223 203251 (or 203200)    Printed: 14-Jul-2005    Sheet 4 of 5    A2    DRAWING NO. L985CT

ECO No.	INITIALS	DATE	DESCRIPTION OF CHANGE	ISSUE
05_E108	JR / MJT	14-07-05	0805 caps dropped to 50V where poss, PCB footprint changes	2.0
05_E090	JR	06-05-05	update to issue 1.0	1.0
05_E072	JR	05-04-05	Changes, mainly to VFD supply	B.0
05_E006	JR	17-01-05	First release	A.0



© Copyright 2005 A&R Cambridge Ltd

DRAWING TITLE		CD36 Main Board RC5 & digital out								
<b>ARCAM</b> A & R Cambridge Ltd. Pembroke Avenue Waterbeach Cambridge CB5 9QR	Filename:	RC5 in & Digital out.Sch	05_E090	JR	06-05-05	update to issue 1.0	1.0			
	Notes:		05_E072	JR	05-04-05	Jack type corrected	B.0			
			05_E006	JR	17-01-05	First release	A.0			
	ECO No.	INITIALS	DATE	DESCRIPTION OF CHANGE		ISSUE				
	Contact Engineer:	John Roscoe	Contact Tel:	01223 203251 (or 203200)	Printed:	14-Jul-2005	Sheet 5 of 5	A3 DRAWING NO. L985CT		
DRAWING TITLE		CD36 Main Board RC5 & digital out				05_E108	JR / MJT	14-07-05	0805 caps dropped to 50V where poss, PCB footprint changes	2.0