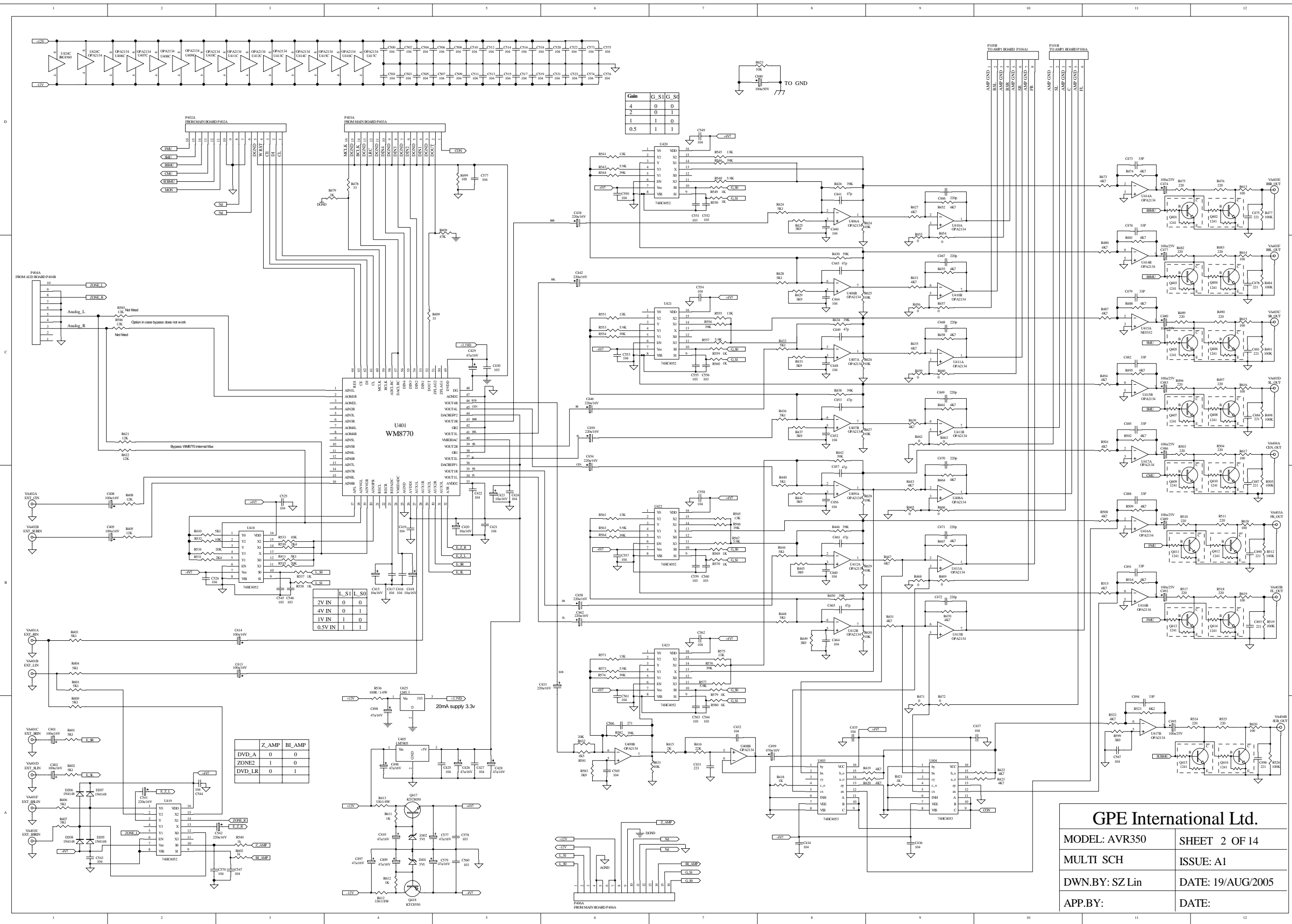


GPE International Ltd.	
MODEL: AVR350	SHEET 1 OF 14
KEY SCH	ISSUE: B1
DWN.BY: SZ Lin	DATE: 2/June 2005
APP.BY:	DATE:



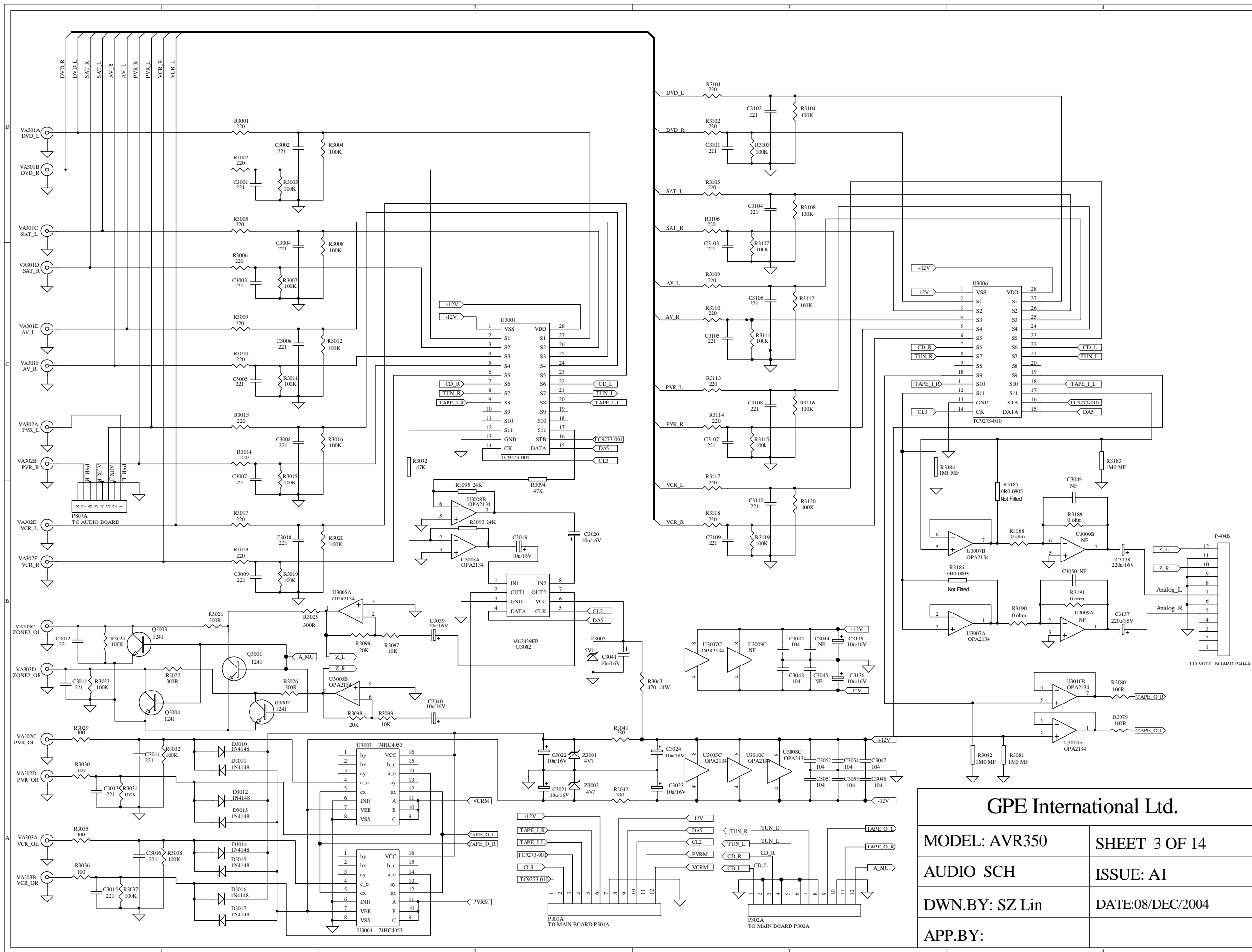
Gain	G_S1	G_S2
4	0	0
2	0	1
1	1	0
0.5	1	1

	L_S1	L_S0
2V IN	0	0
4V IN	0	1
1V IN	1	0
0.5V IN	1	1

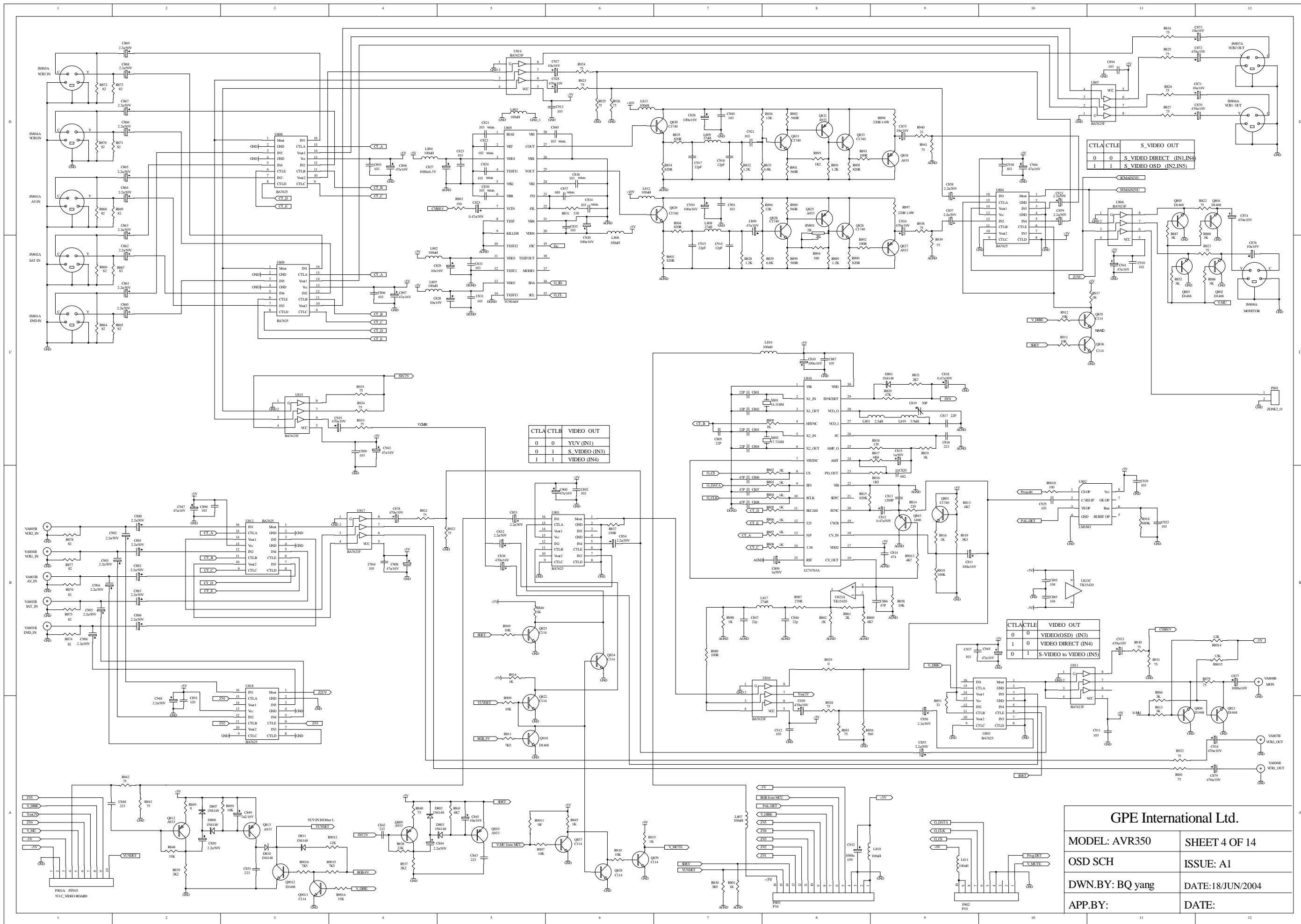
	Z_AMP	BI_AMP
DVD_A	0	0
ZONE2	1	0
DVD_LR	0	1

GPE International Ltd.

MODEL: AVR350	SHEET 2 OF 14
MULTI SCH	ISSUE: A1
DWN.BY: SZ Lin	DATE: 19/AUG/2005
APP.BY:	DATE:



GPE International Ltd.	
MODEL: AVR350	SHEET 3 OF 14
AUDIO SCH	ISSUE: A1
DWN.BY: SZ Lin	DATE:08/DEC/2004
APP.BY:	

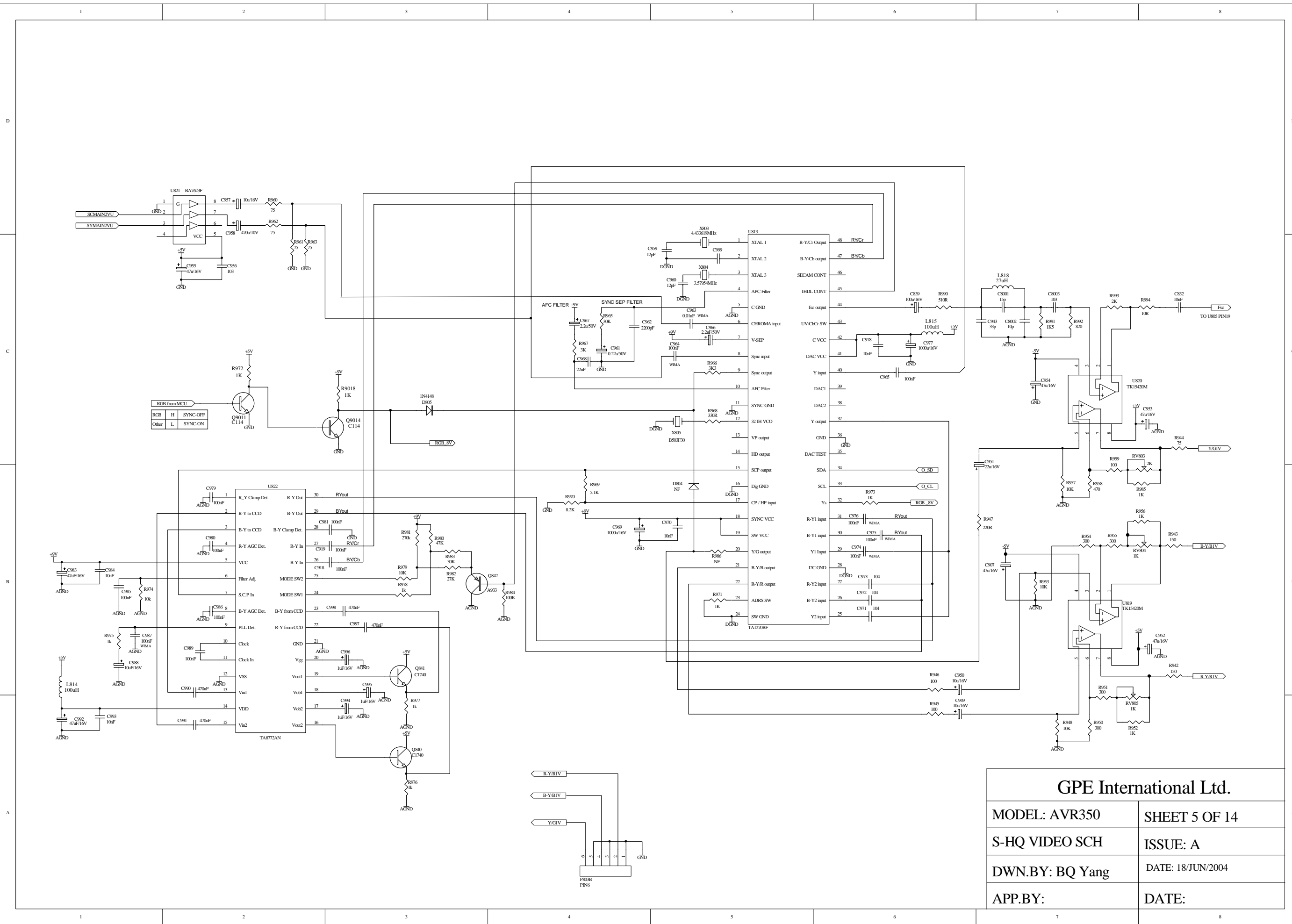


CTLA	CTLE	VIDEO OUT
0	0	YUV (IN1)
0	1	S VIDEO (IN3)
1	1	VIDEO (IN4)

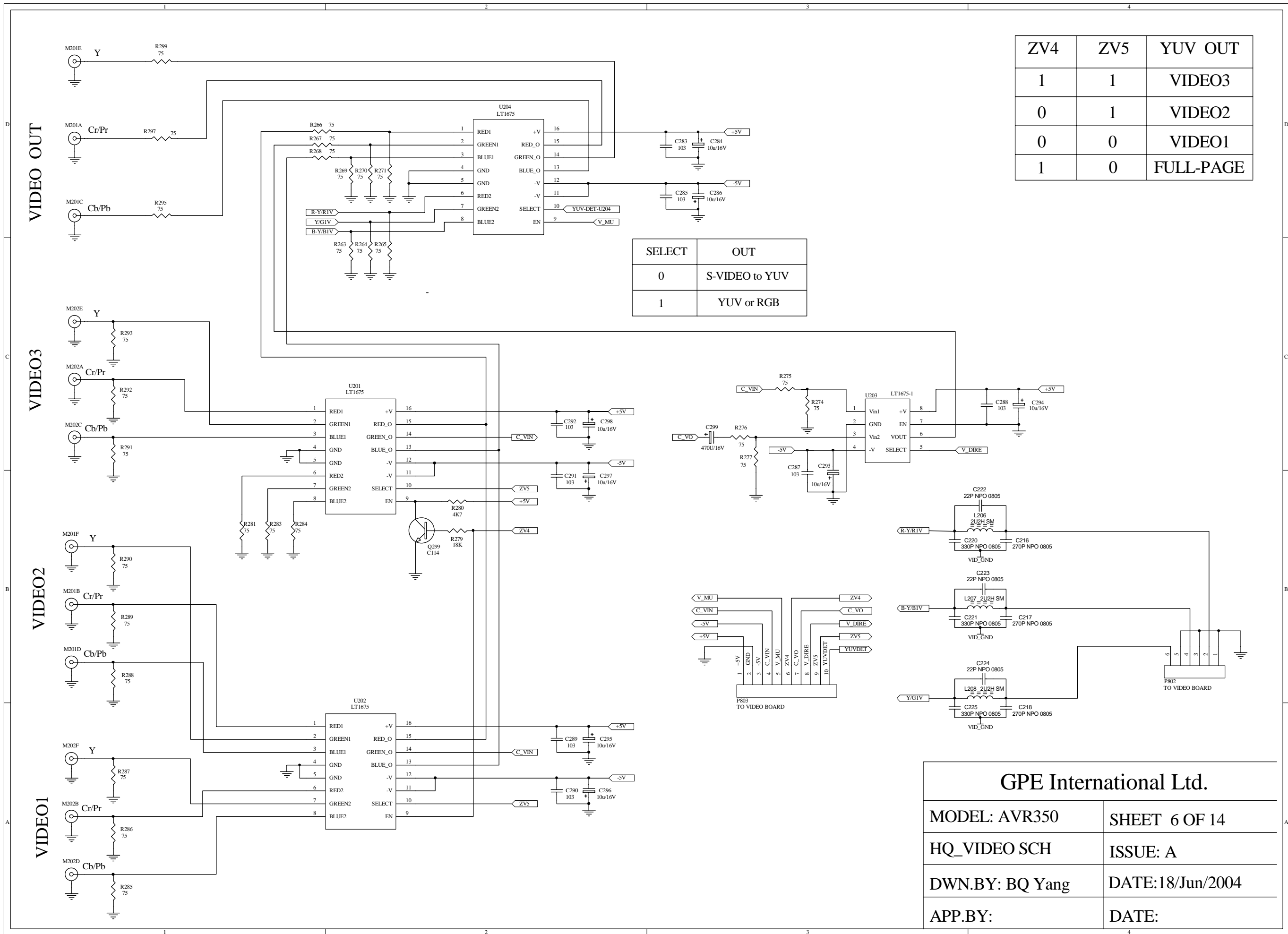
CTLA	CTLE	VIDEO OUT
0	0	VIDEO(OSD) (IN3)
1	0	VIDEO DIRECT (IN4)
0	1	S-VIDEO to VIDEO (IN5)

GPE International Ltd.

MODEL: AVR350	SHEET 4 OF 14
OSD SCH	ISSUE: A1
DWN.BY: BQ yang	DATE:18/JUN/2004
APP.BY:	DATE:



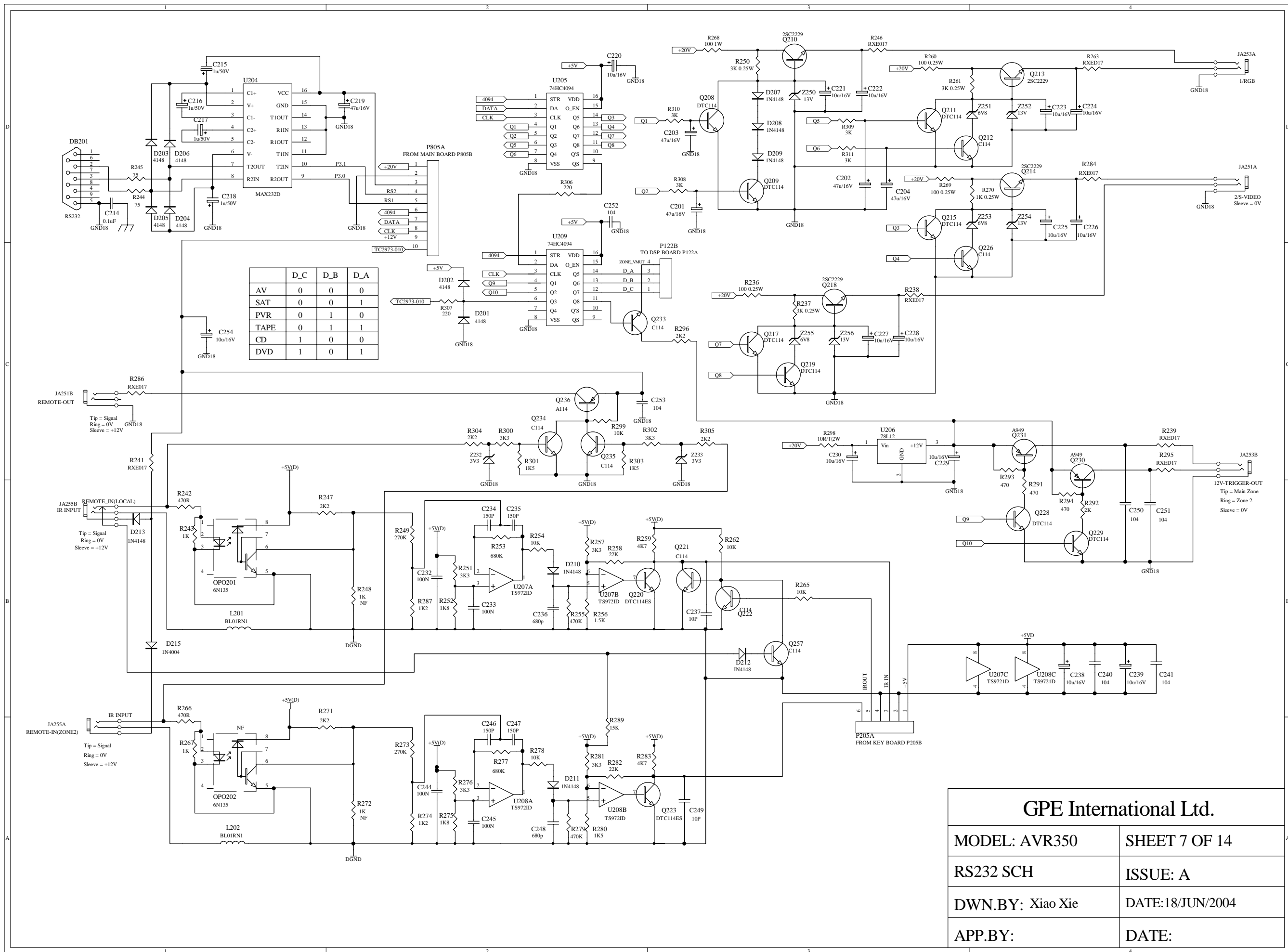
GPE International Ltd.	
MODEL: AVR350	SHEET 5 OF 14
S-HQ VIDEO SCH	ISSUE: A
DWN.BY: BQ Yang	DATE: 18/JUN/2004
APP.BY:	DATE:



ZV4	ZV5	YUV OUT
1	1	VIDEO3
0	1	VIDEO2
0	0	VIDEO1
1	0	FULL-PAGE

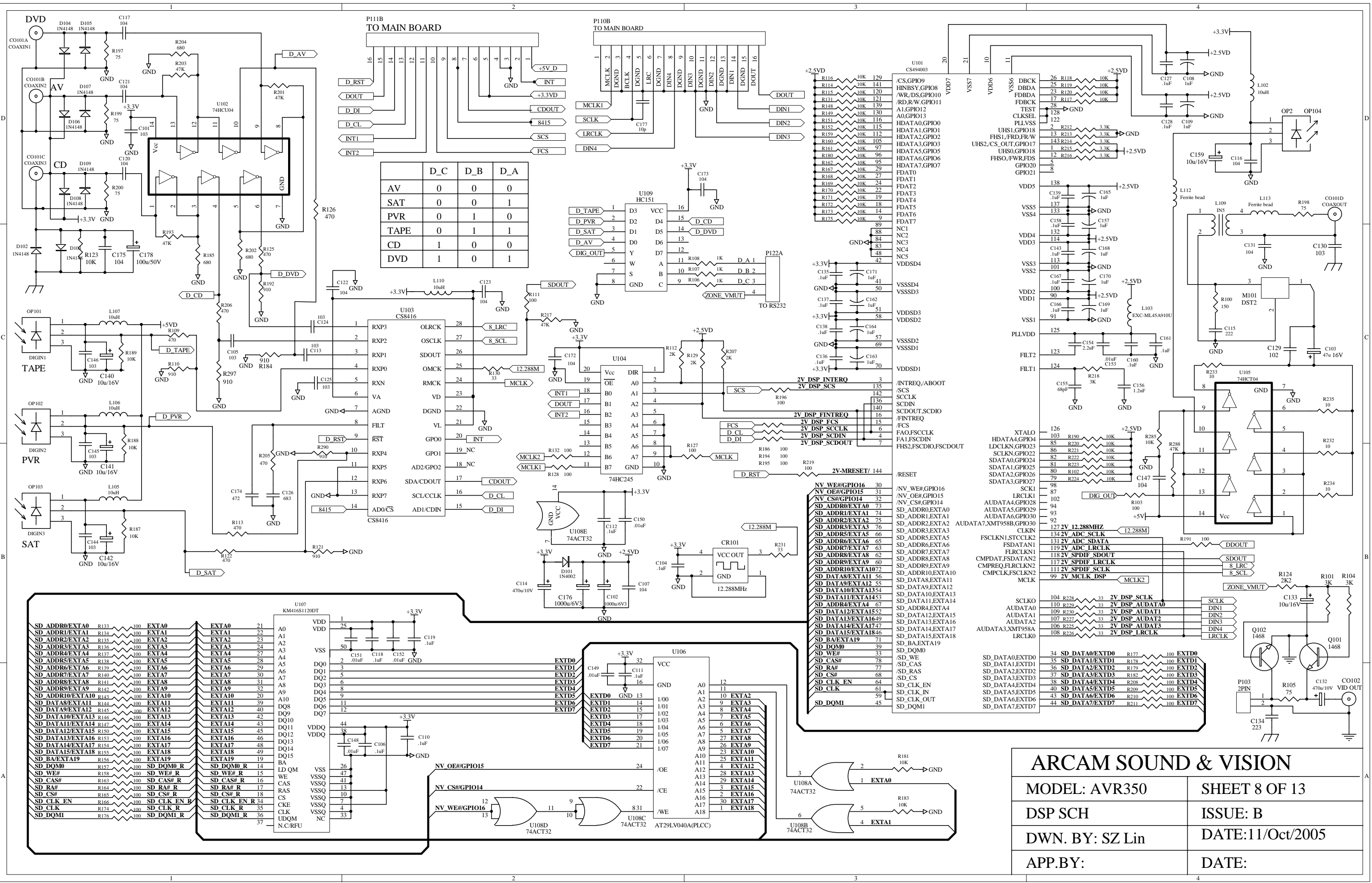
SELECT	OUT
0	S-VIDEO to YUV
1	YUV or RGB

GPE International Ltd.	
MODEL: AVR350	SHEET 6 OF 14
HQ_VIDEO SCH	ISSUE: A
DWN.BY: BQ Yang	DATE:18/Jun/2004
APP.BY:	DATE:



	D_C	D_B	D_A
AV	0	0	0
SAT	0	0	1
PVR	0	1	0
TAPE	0	1	1
CD	1	0	0
DVD	1	0	1

GPE International Ltd.	
MODEL: AVR350	SHEET 7 OF 14
RS232 SCH	ISSUE: A
DWN.BY: Xiao Xie	DATE:18/JUN/2004
APP.BY:	DATE:



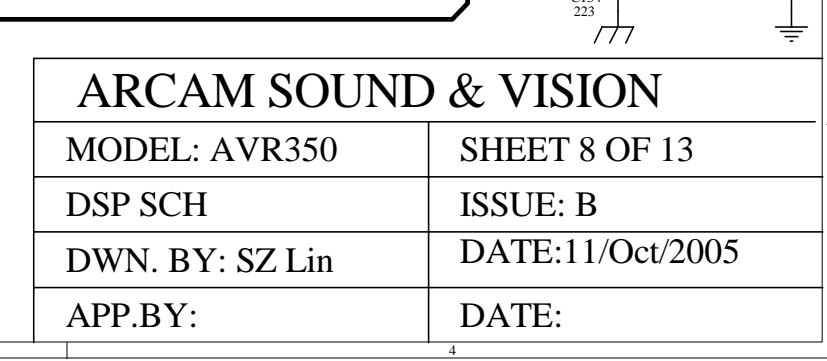
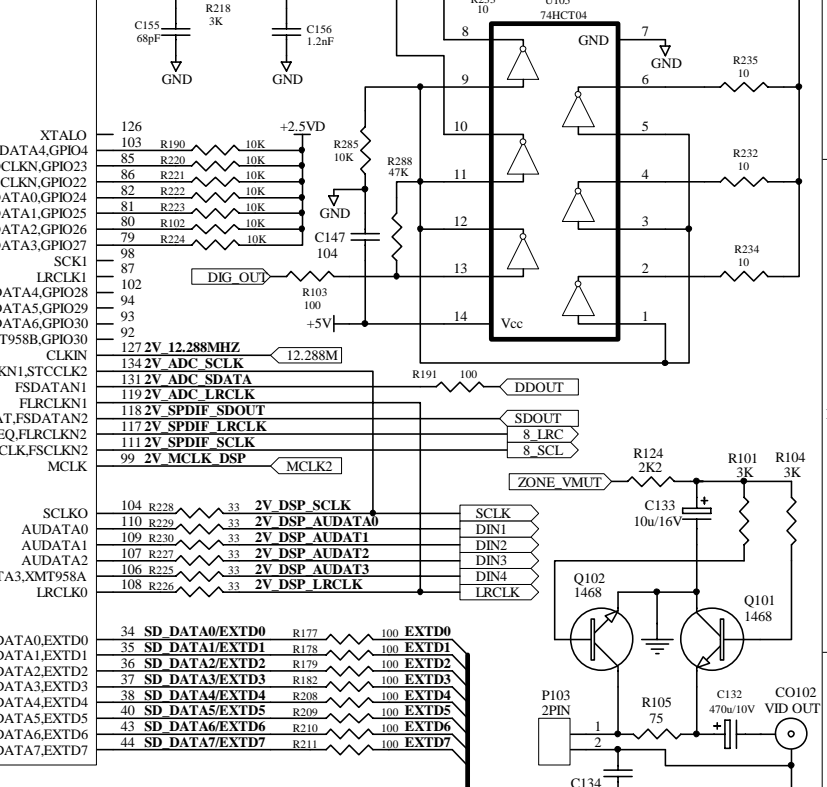
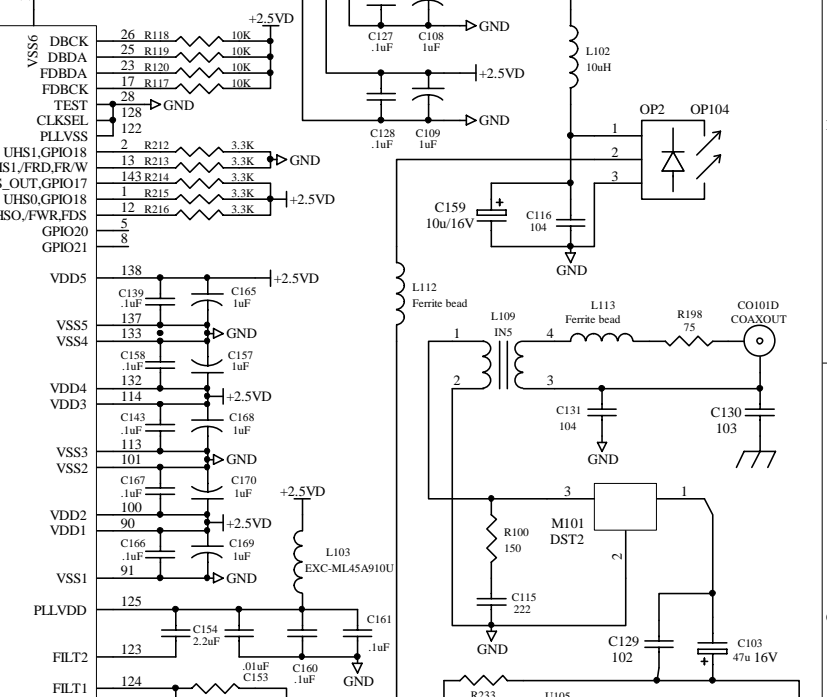
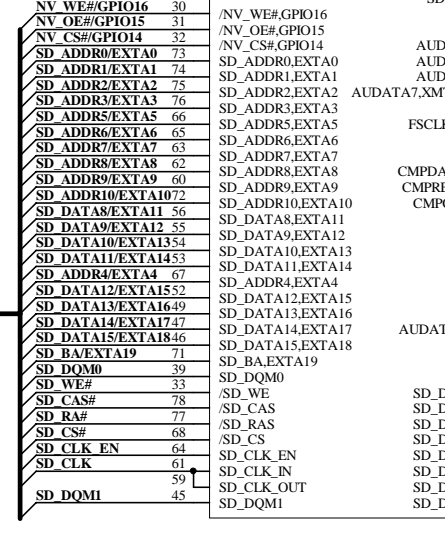
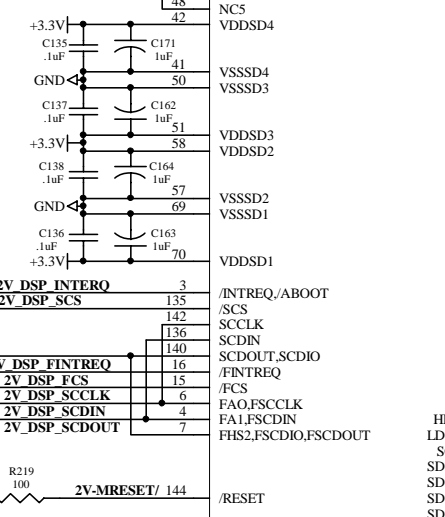
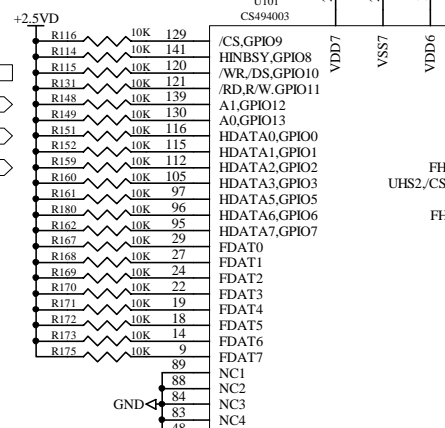
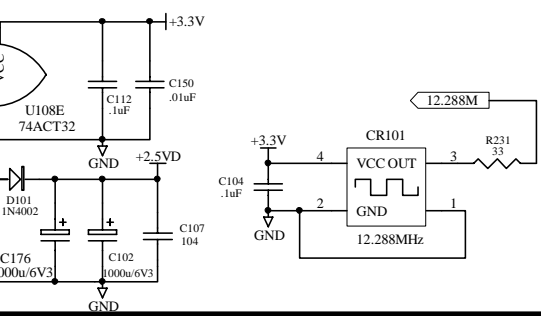
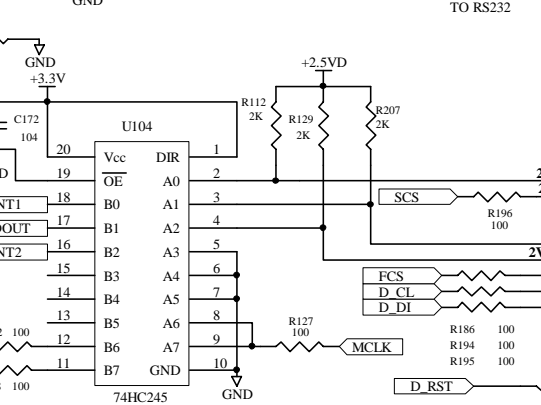
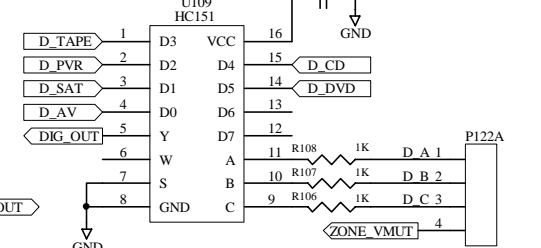
P111B TO MAIN BOARD

D_RST	15
D_OUT	14
D_DI	13
D_CL	12
INT1	11
INT2	10

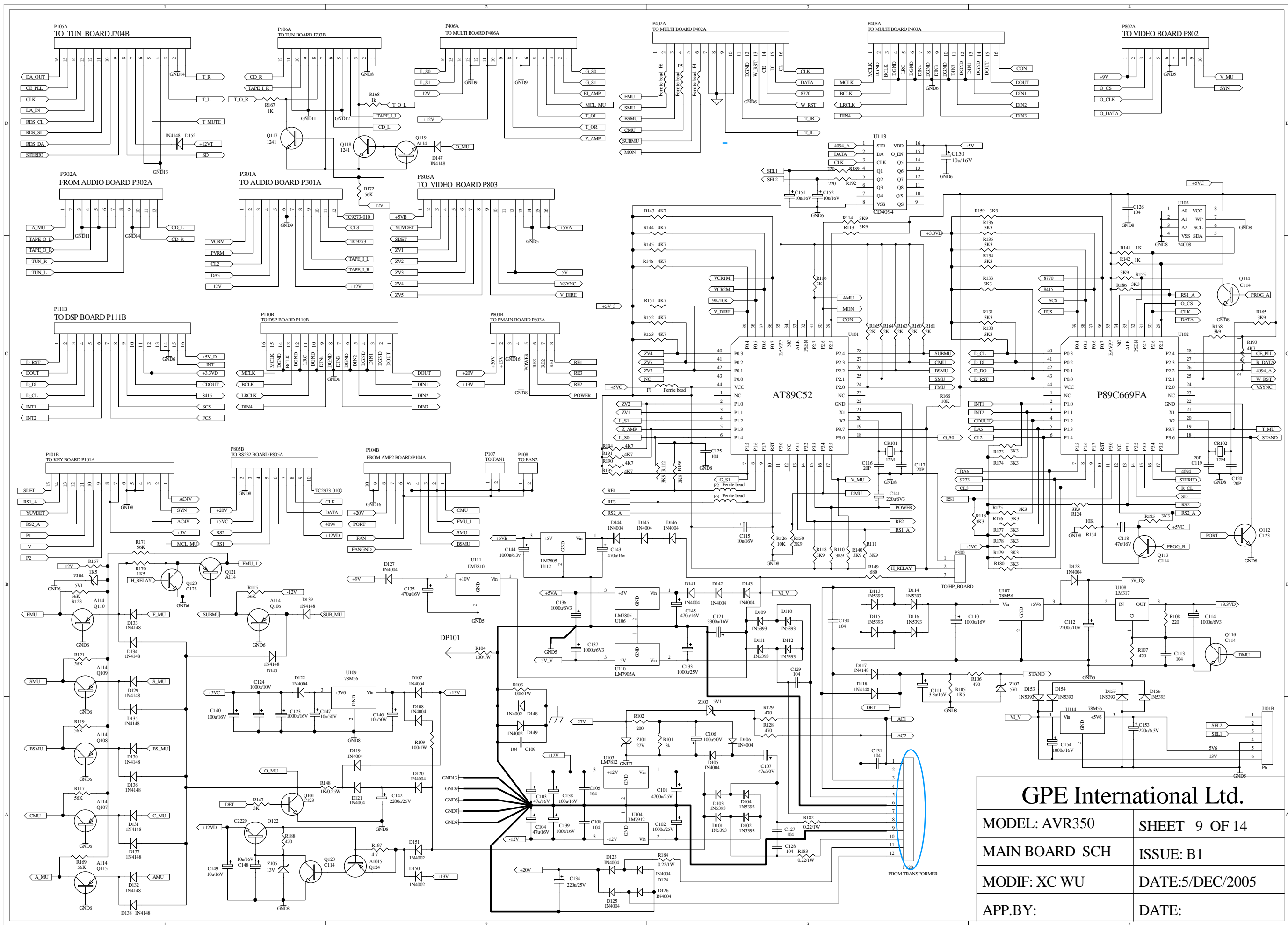
D_C	0	0	0
SAT	0	0	1
PVR	0	1	0
TAPE	0	1	1
CD	1	0	0
DVD	1	0	1

U103 CS8416

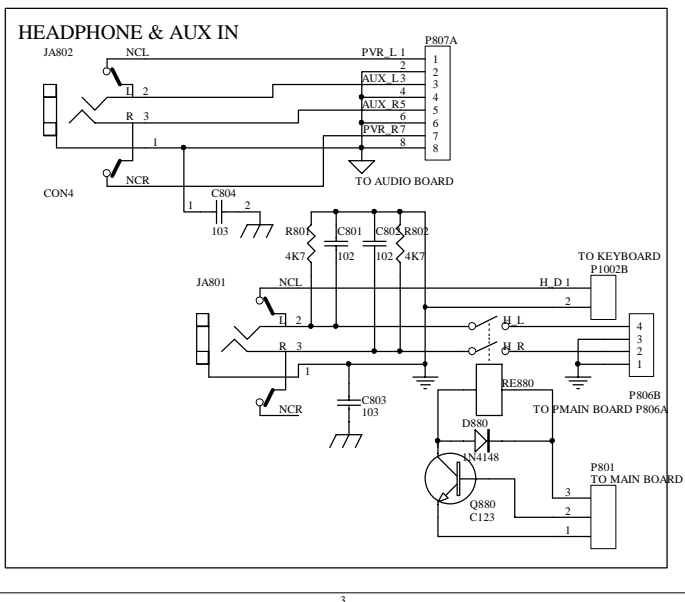
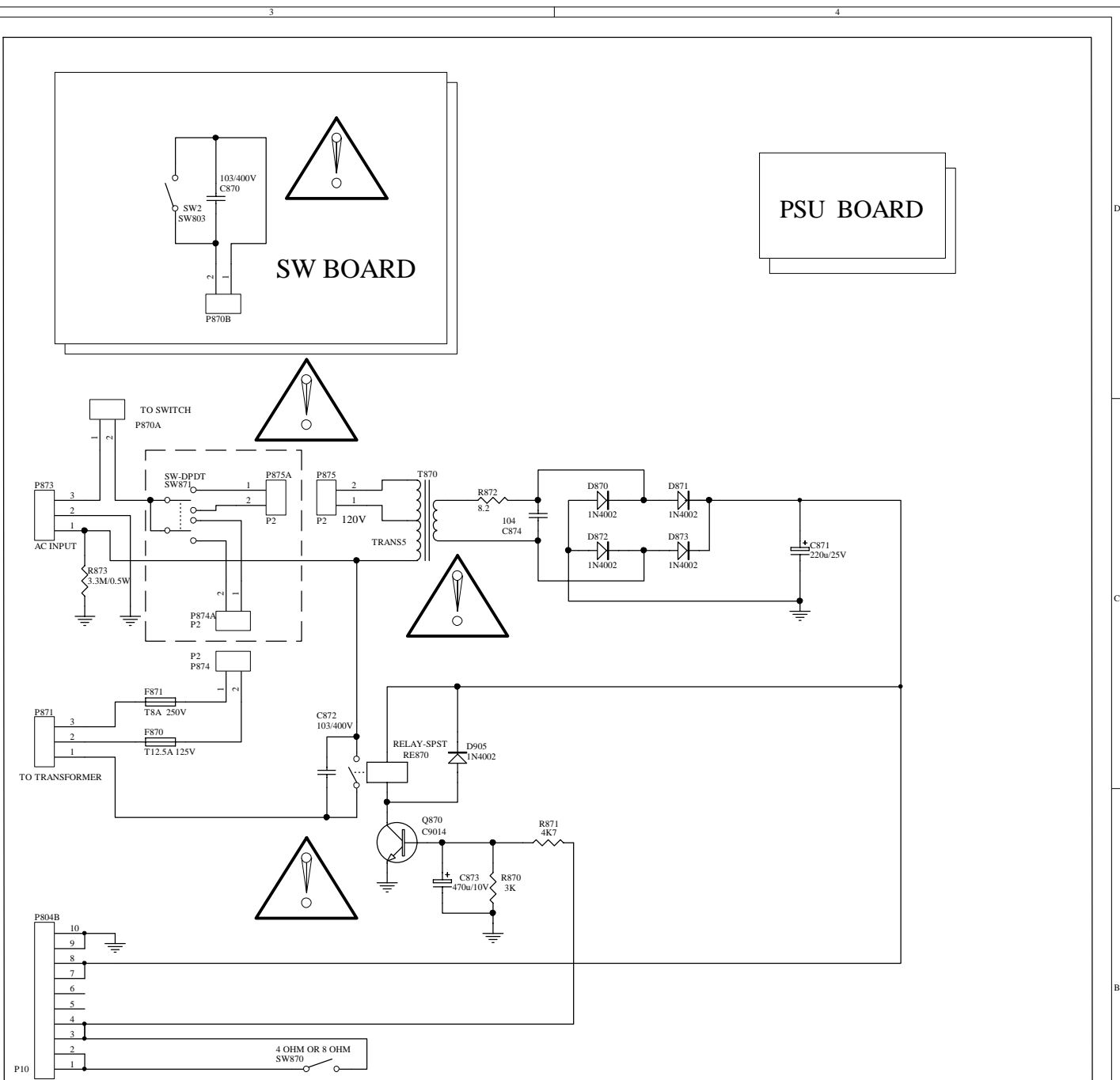
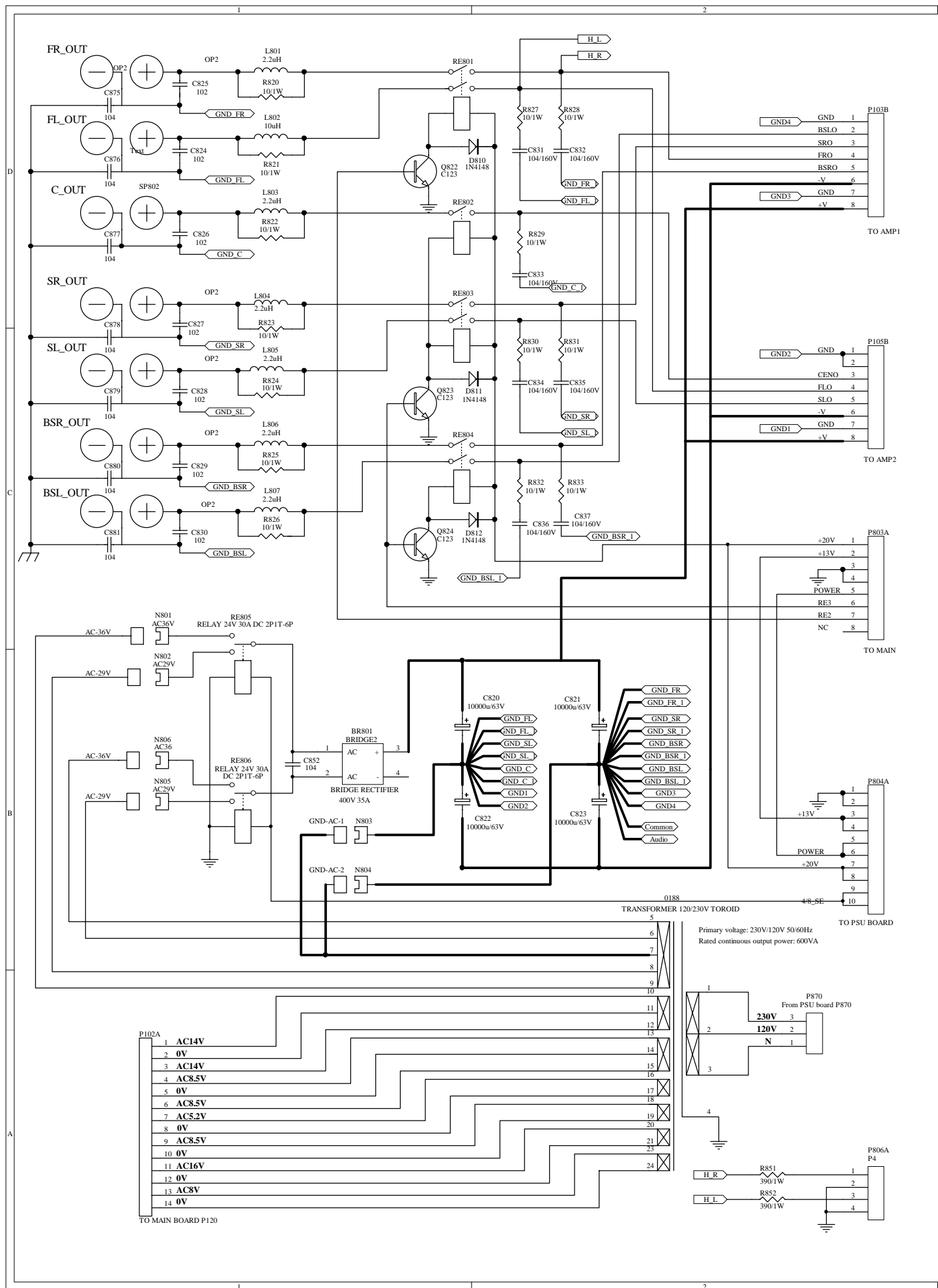
RXP3	28	8_LRC
RXP2	27	8_SCL
SDOUT	26	
OMCK	25	
RMCK	24	12.288M
VA	23	MCLK
VD	22	
VL	21	
RST	20	INT
GPO0	19	NC
GPO1	18	NC
AD2/GPO2	17	CDOUT
RXP7	16	D_CL
RXP4	15	D_DI
AD0CS	14	
AD1/CDIN	13	



ARCAM SOUND & VISION	
MODEL: AVR350	SHEET 8 OF 13
DSP SCH	ISSUE: B
DWN. BY: SZ Lin	DATE: 11/Oct/2005
APP. BY:	DATE:

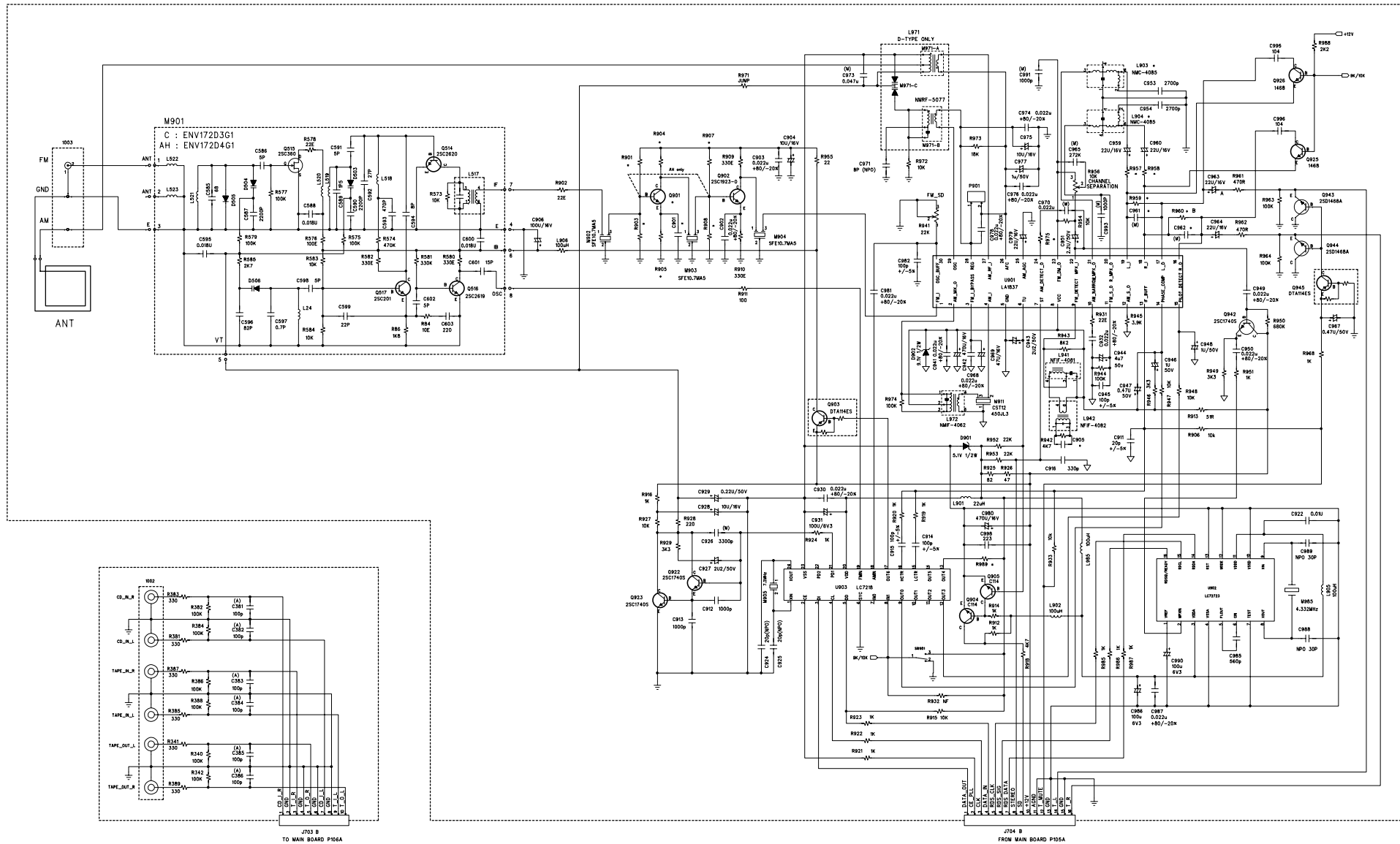


GPE International Ltd.	
MODEL: AVR350	SHEET 9 OF 14
MAIN BOARD SCH	ISSUE: B1
MODIF: XC WU	DATE: 5/DEC/2005
APP. BY:	DATE:



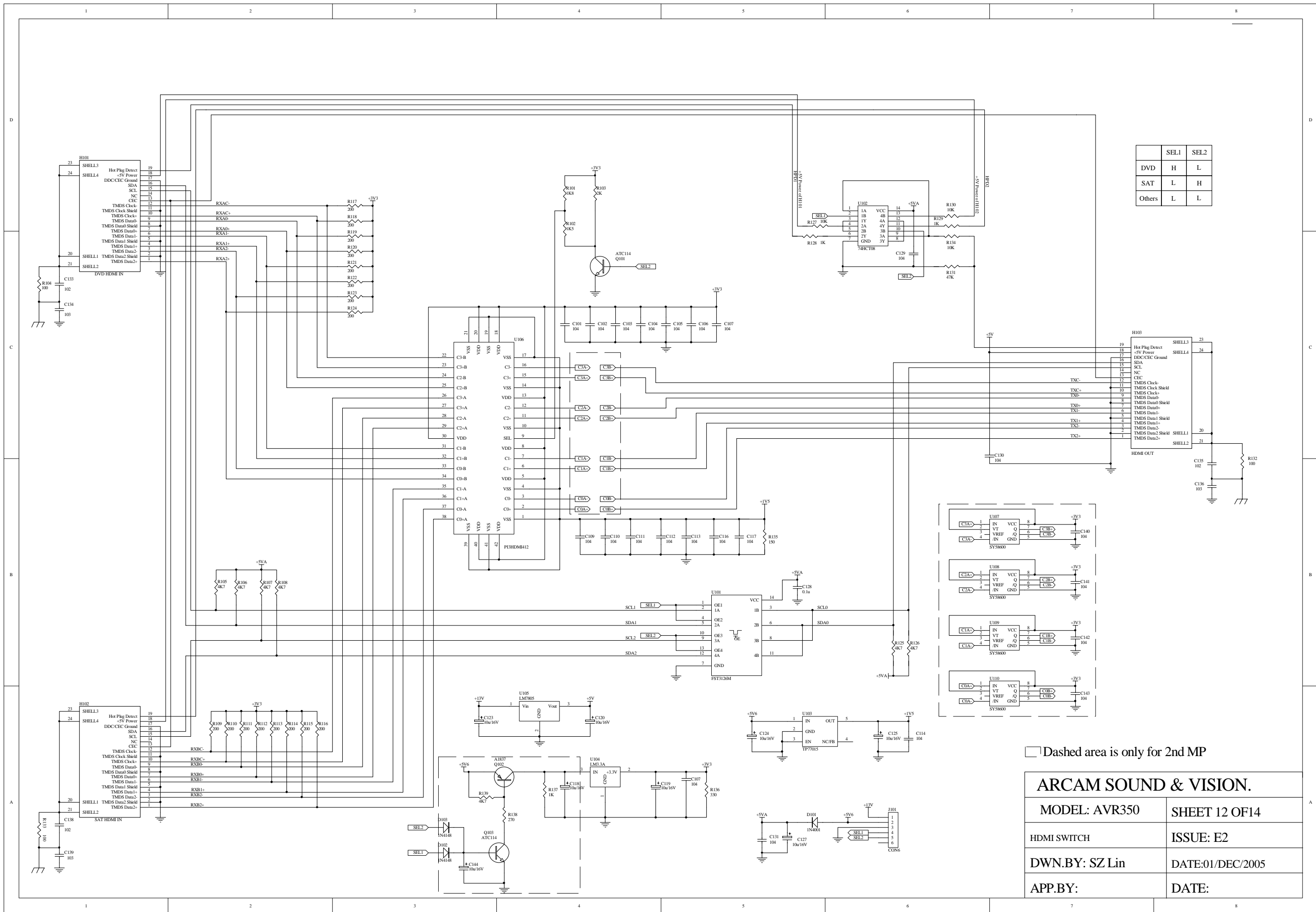
GPE International Ltd.	
MODEL: AVR350	SHEET 10 OF 14
P_MAIN&PSU BOARD SCH	ISSUE:A2
DWN.BY: SZ Lin	DATE: 22/SEP/2005
APP.BY:	DATE:

REVISION RECORD		
LTR	ECO NO.	APPROVED/DATE



ISSUE	DESCRIPTION	DATE	APPL. BY	DATE

ARCAM Sound & Vision.
 TITLE: Schematic Diagram
 TOWER SECTION
 ORIGINAL COPY MODEL: AV2350
 PART NO: 1725-694B-0000
 SCH FILE: TUN_A_SCH
 JOB FILE: - TUN0A JOB
 © GPE INTERNATIONAL LTD. SHEET 13 OF 13 ISSUE A



	SEL1	SEL2
DVD	H	L
SAT	L	H
Others	L	L

Dashed area is only for 2nd MP

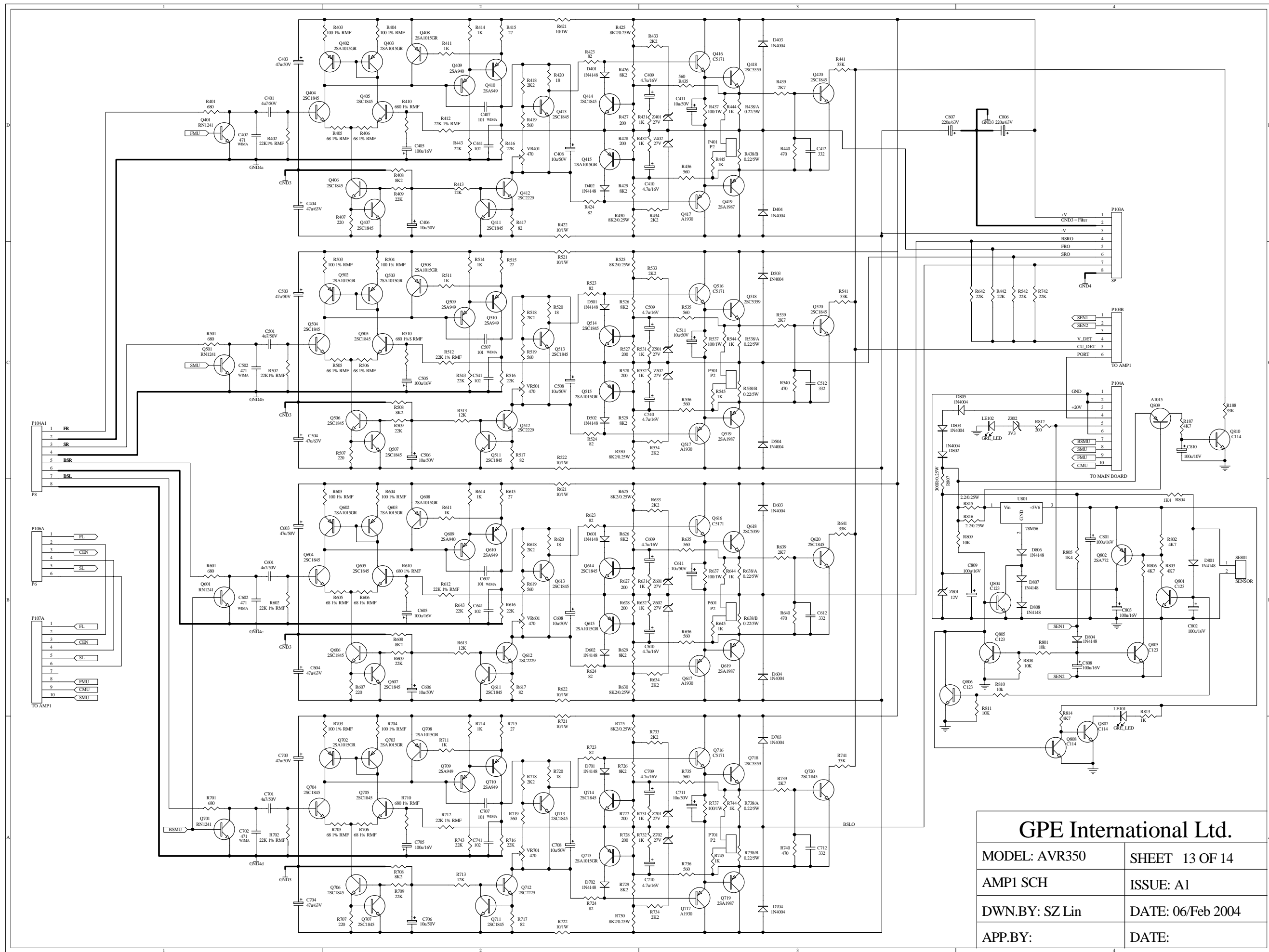
ARCAM SOUND & VISION.

MODEL: AVR350 SHEET 12 OF 14

HDMI SWITCH ISSUE: E2

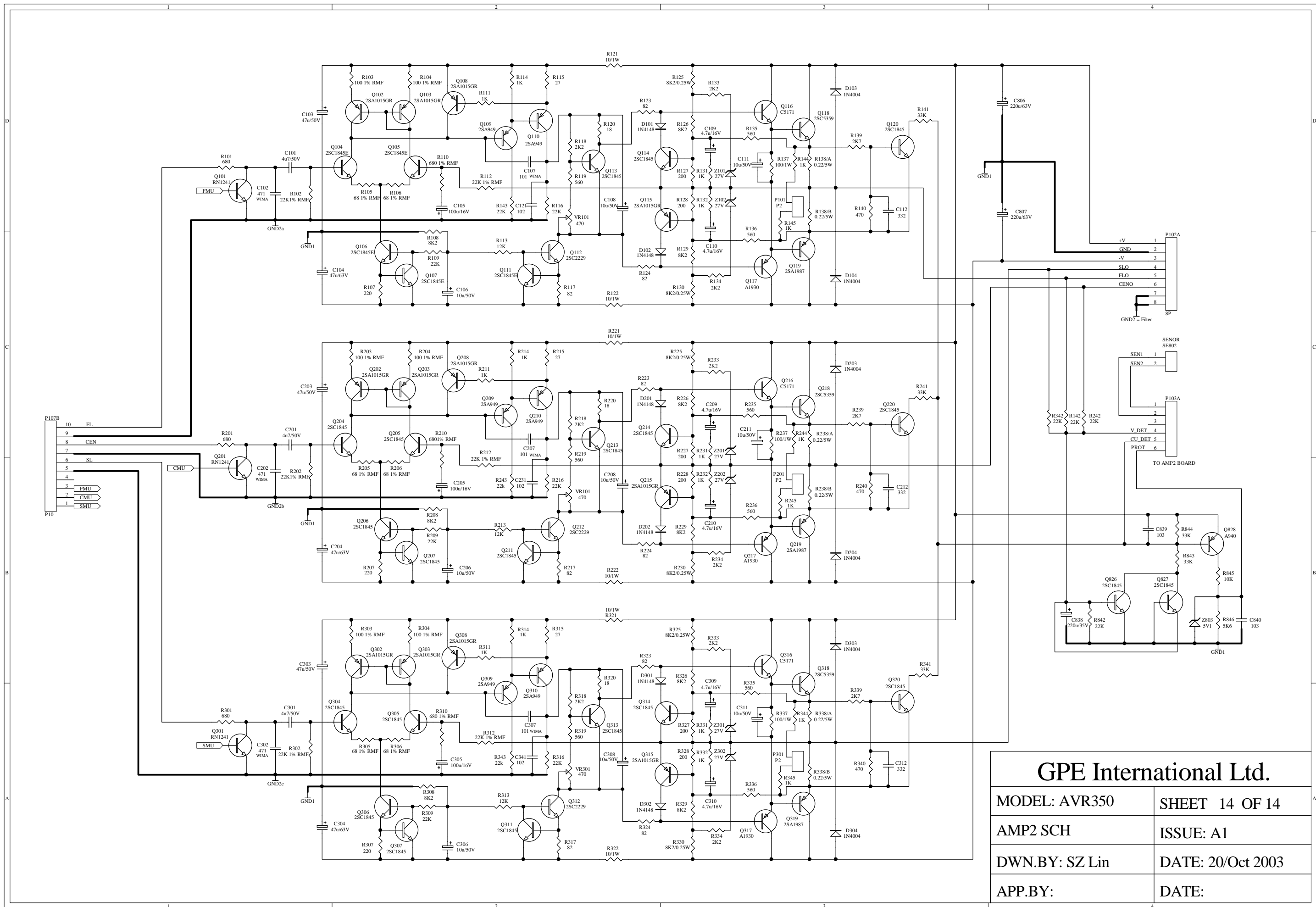
DWN.BY: SZ Lin DATE: 01/DEC/2005

APP.BY: DATE:



GPE International Ltd.

MODEL: AVR350	SHEET 13 OF 14
AMP1 SCH	ISSUE: A1
DWN.BY: SZ Lin	DATE: 06/Feb 2004
APP.BY:	DATE:



GPE International Ltd.

MODEL: AVR350	SHEET 14 OF 14
AMP2 SCH	ISSUE: A1
DWN.BY: SZ Lin	DATE: 20/Oct 2003
APP.BY:	DATE: