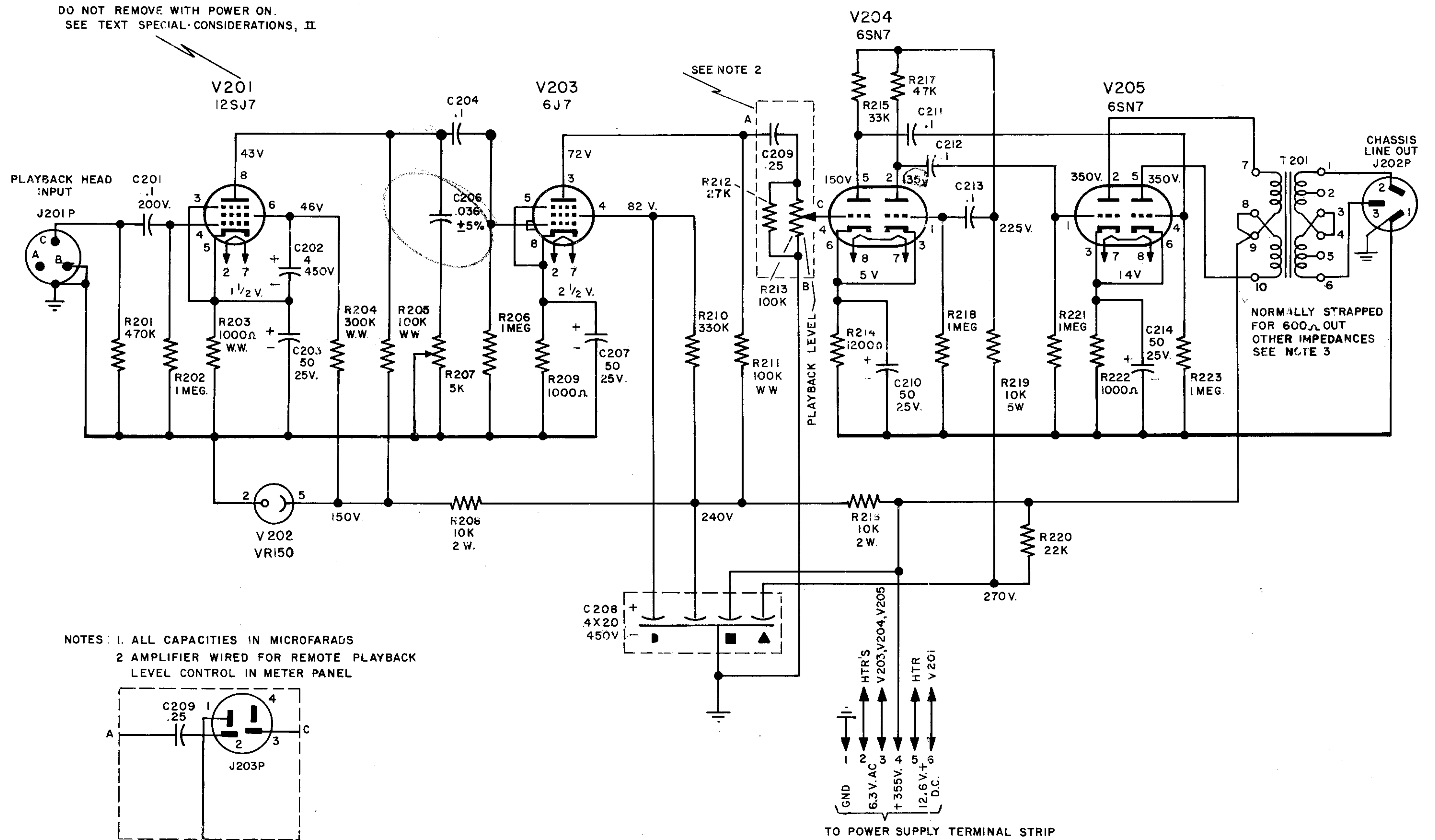
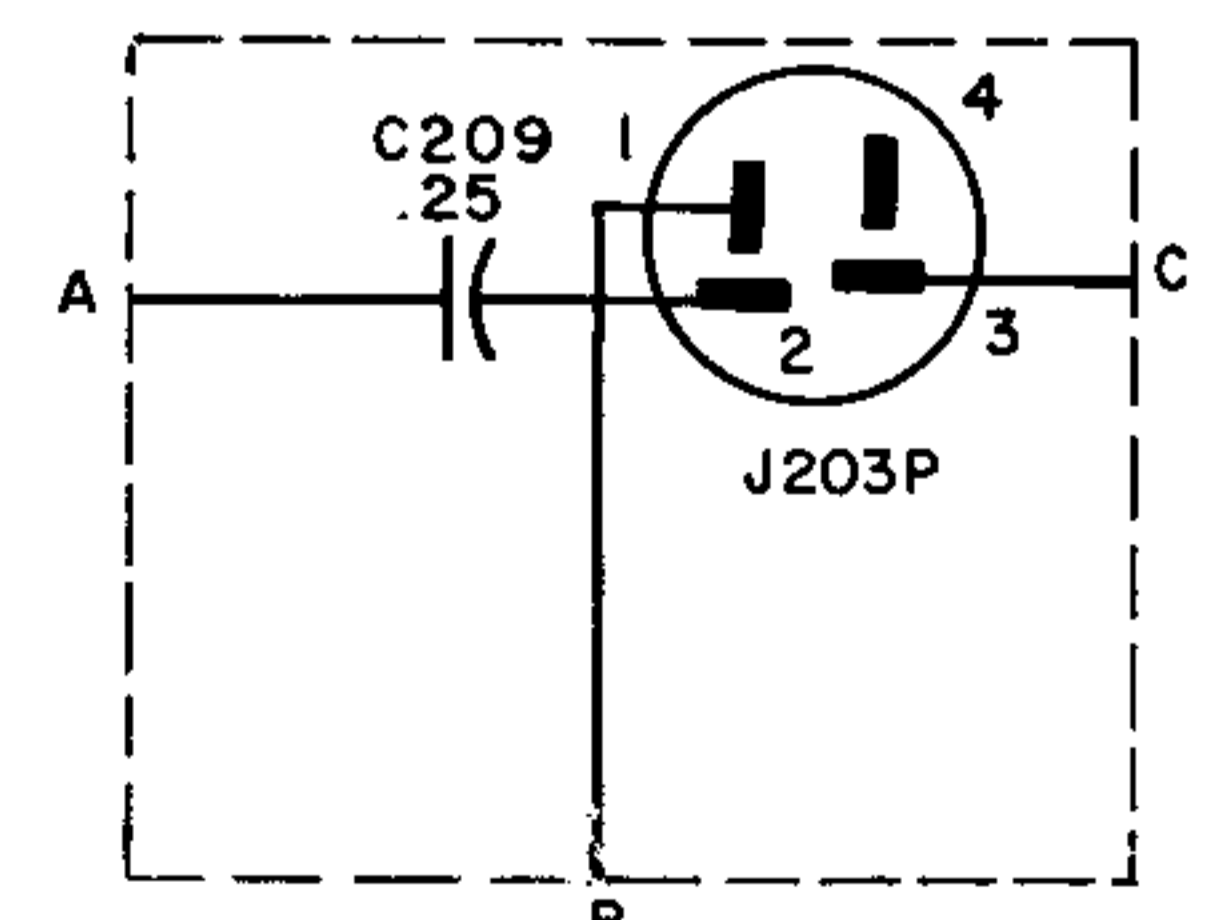


**SCHEMATIC DIAGRAM
ELECTRONIC ASSEMBLY
REPRODUCE|AMPLIFIER AND
BIAS AND ERASE OSCILLATOR
ED 498-00**

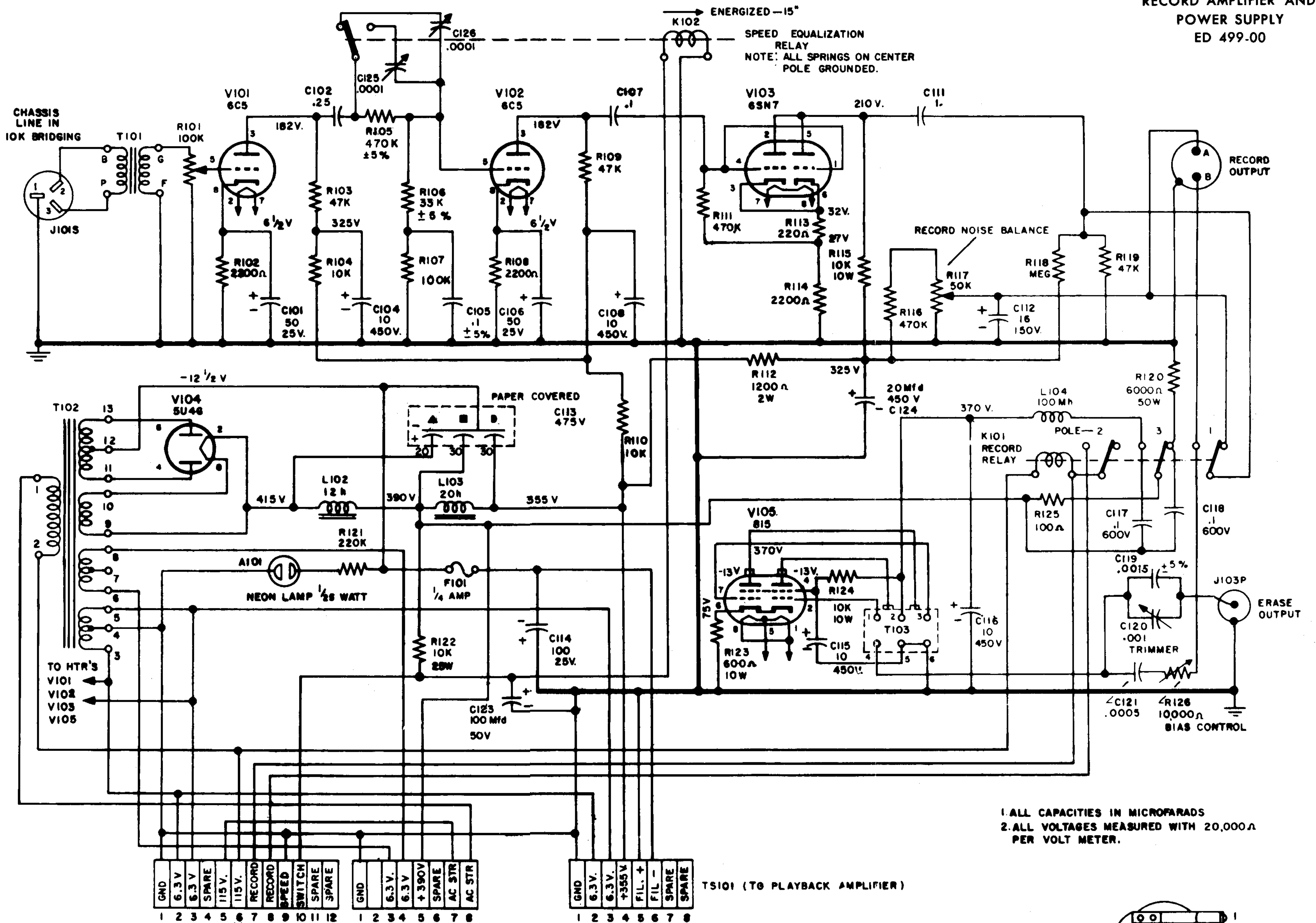


NOTES: 1. ALL CAPACITIES IN MICROFARADS
2. AMPLIFIER WIRED FOR REMOTE PLAYBACK
LEVEL CONTROL IN METER PANEL

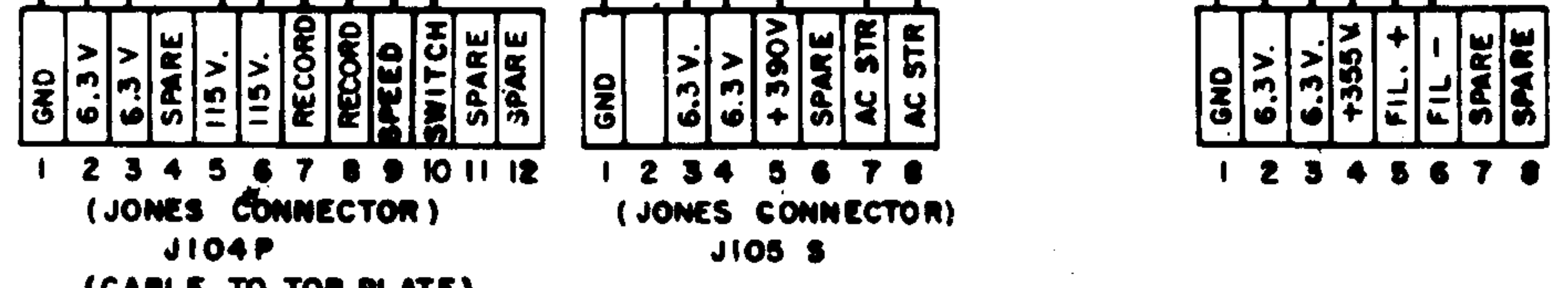


3. 600 OHMS CONNECT TO 1 & 6, JOIN 3 TO 4
- 333 OHMS CONNECT TO 1 & 5, JOIN 3 TO 4
- 250 OHMS CONNECT TO 1 & 6, JOIN 2 TO 3 (APPROX)
- 200 OHMS CONNECT TO 2 & 5, JOIN 3 TO 4
- 125 OHMS CONNECT TO 1 & 4, JOIN 1 TO 3 & 4 TO 6
- 50 OHMS CONNECT TO 2 & 4, JOIN 2 TO 3 & 4 TO 5

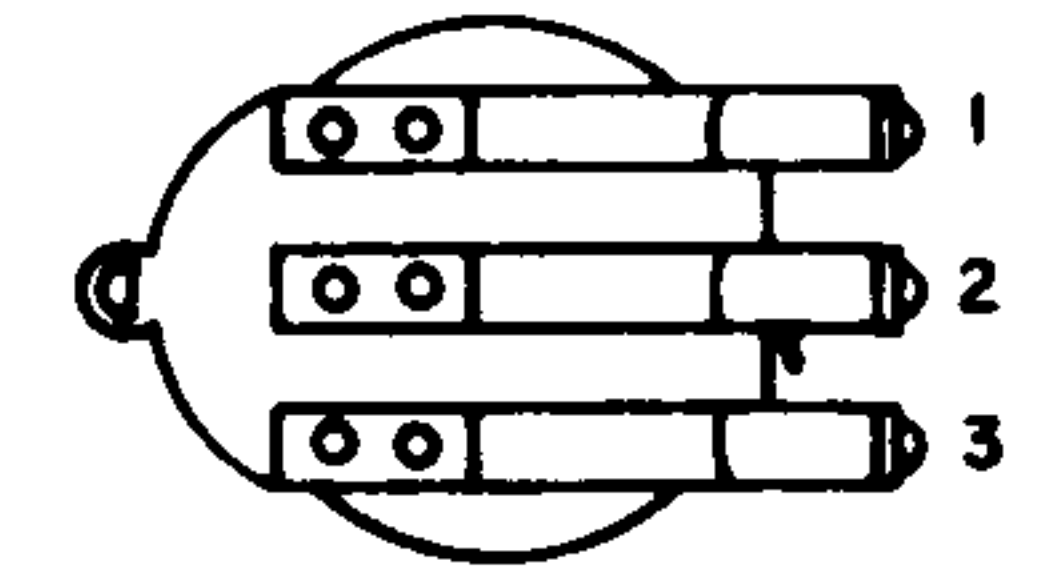
**SCHEMATIC DIAGRAM
ELECTRONIC ASSEMBLY
RECORD AMPLIFIER AND
POWER SUPPLY
ED 499-00**



1. ALL CAPACITIES IN MICROFARADS
2. ALL VOLTAGES MEASURED WITH 20,000Ω
PER VOLT METER.



PLUG A-567 (WITH 1
JUMPED TO 2 & 7
JUMPED TO 8) MUST
BE INSERTED IN ABSENCE
OF MIXER PRE-AMP CABLE



RECORD RELAY POLE REFERENCE
K101
VIEWED FROM BOTTOM OF CHASSIS