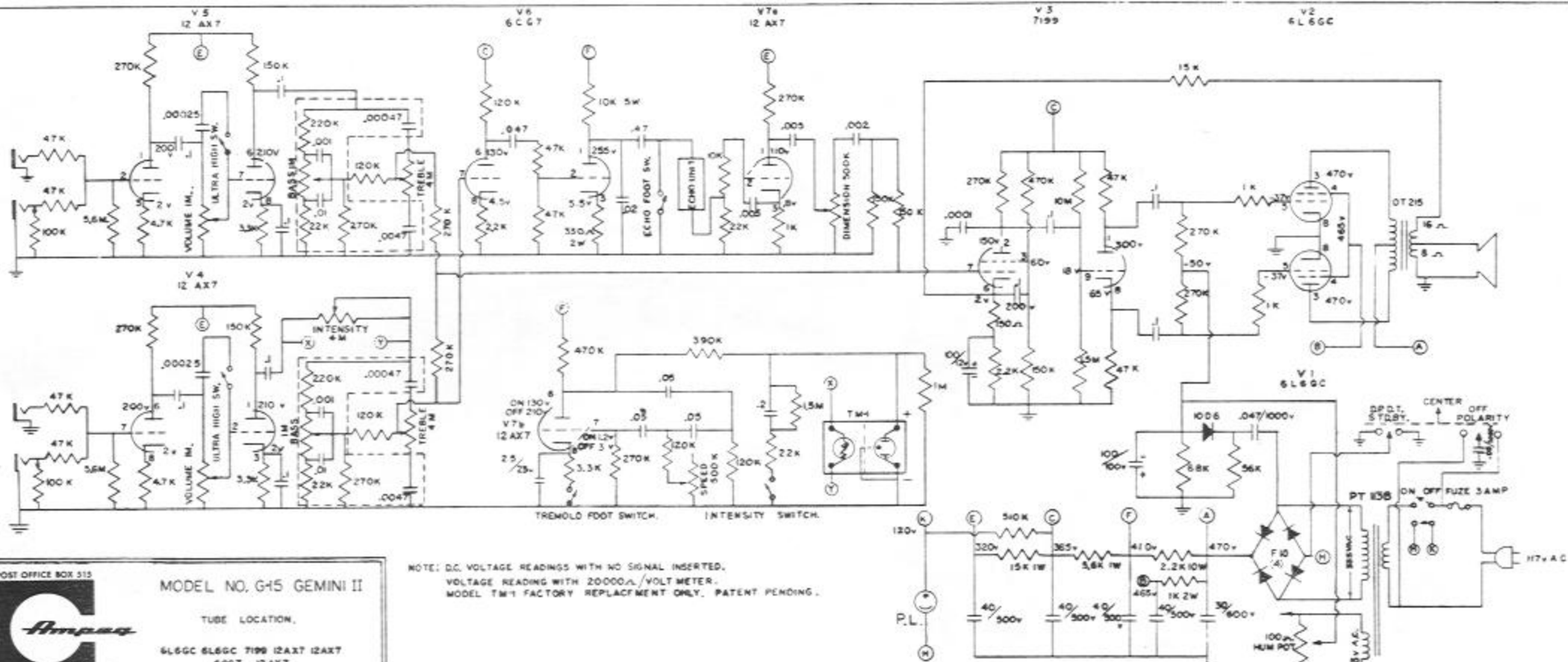


CHANNEL 2

CHANNEL 1



NOTE: D.C. VOLTAGE READINGS WITH NO SIGNAL INSERTED.  
 VOLTAGE READING WITH 20000Ω/VOLT METER.  
 MODEL TM-1 FACTORY REPLACEMENT ONLY. PATENT PENDING.

MODEL NO. G-15 GEMINI II

TUBE LOCATION.

6L6GC 6L6GC 7199 12AX7 12AX7  
6CG7 12AX7DWY C W LTD  
DATE 4/26/51

401050

401050

POST OFFICE BOX 515



LINDEN, NEW JERSEY