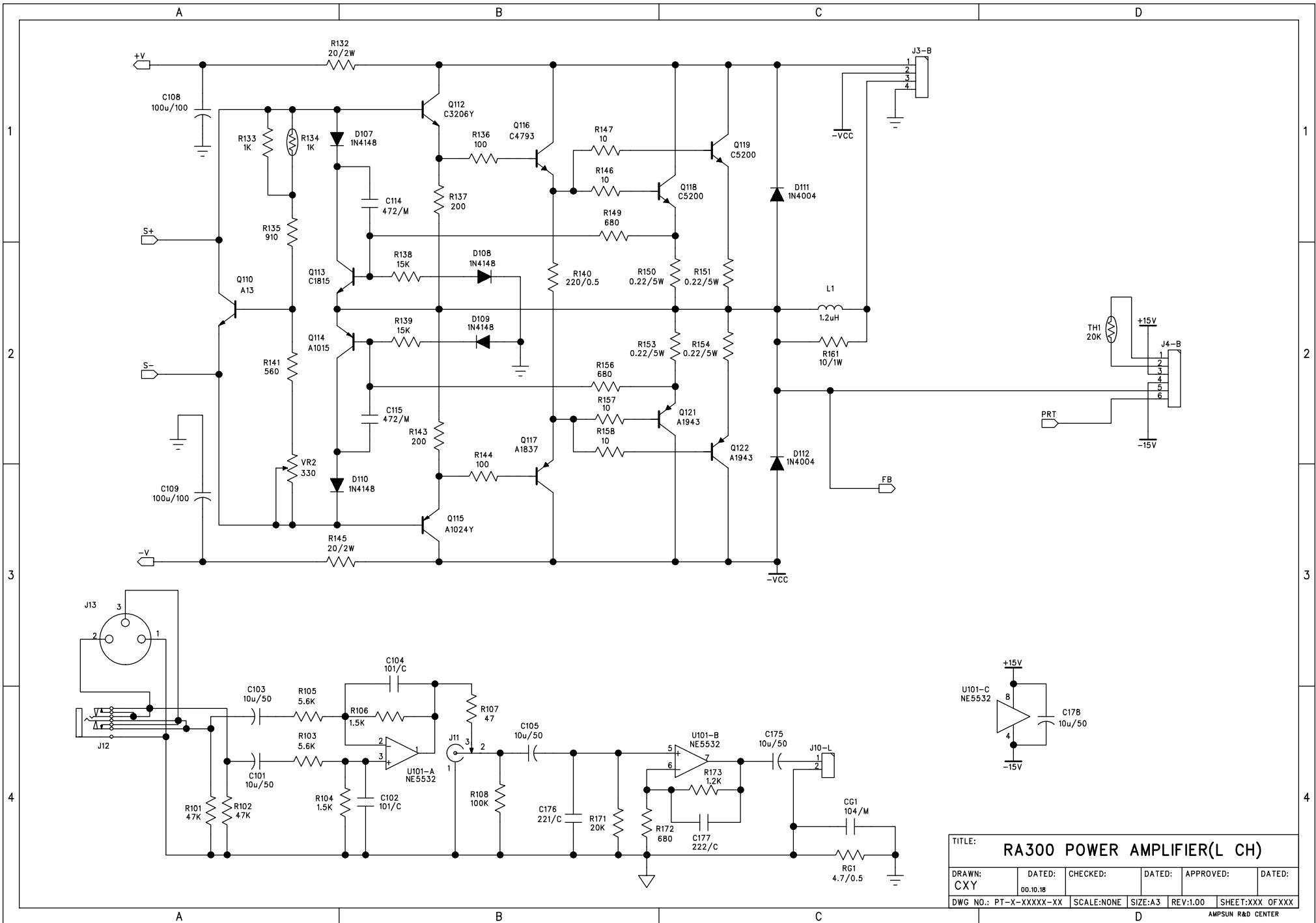
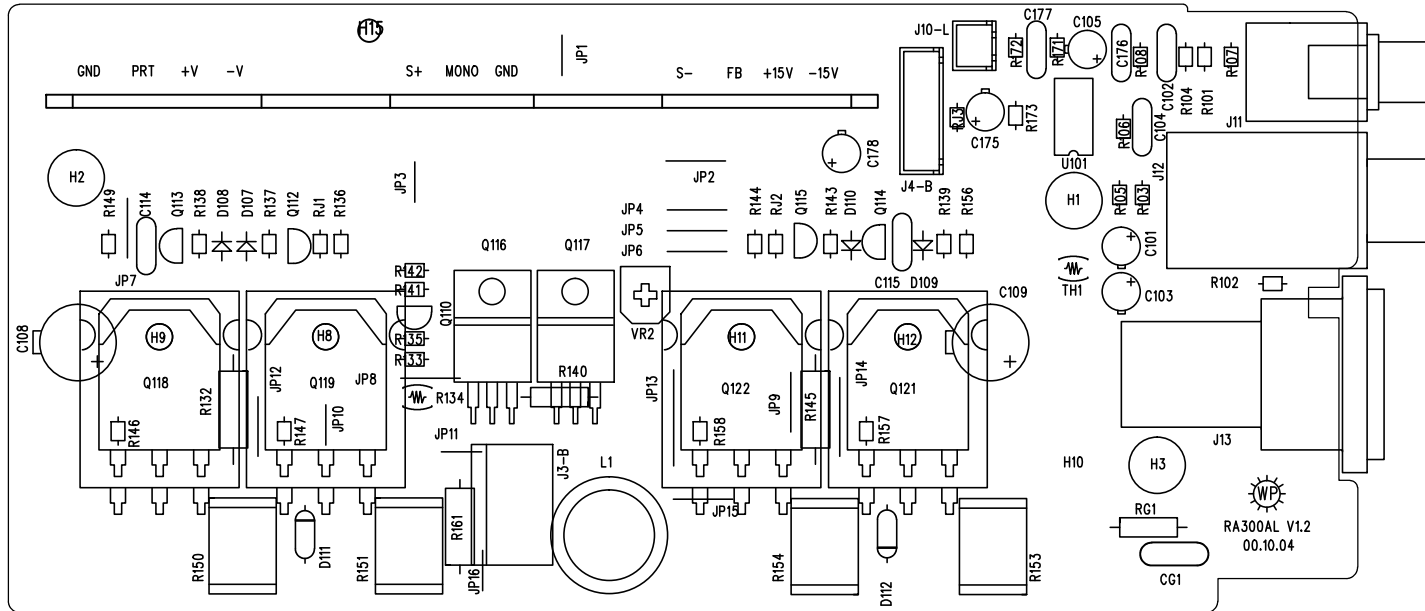


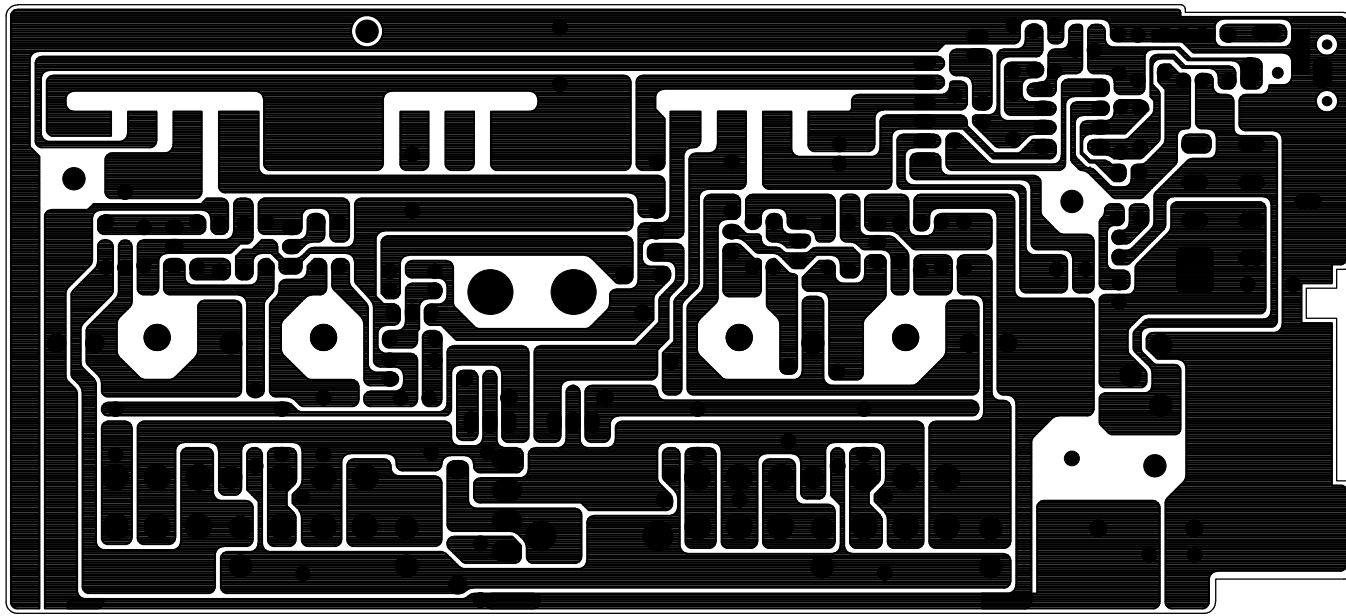
**RA300 (G5)
SCHEMATIC
AND
PCB
FILES**

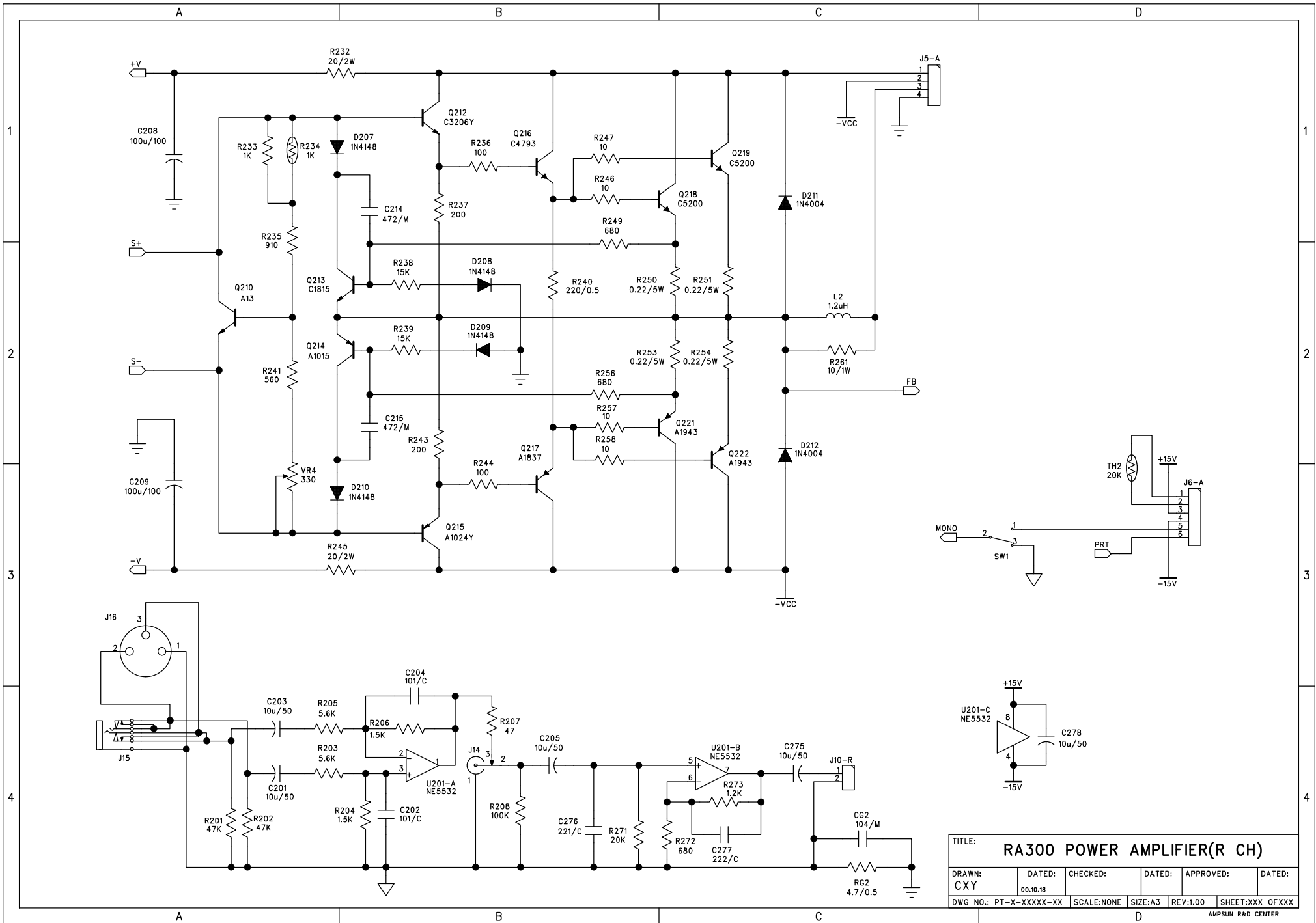


| | | | | | |
|------------------------------------|-----------------|----------|-----------|-------------------|--------|
| TITLE: RA300 POWER AMPLIFIER(L CH) | | | | | |
| DRAWN: CXY | DATED: 00.10.18 | CHECKED: | DATED: | APPROVED: | DATED: |
| DWG NO.: PT-X-XXXX-XX | SCALE: NONE | SIZE: A3 | REV: 1.00 | SHEET: XXX OF XXX | |
| AMPSUN R&D CENTER | | | | | |

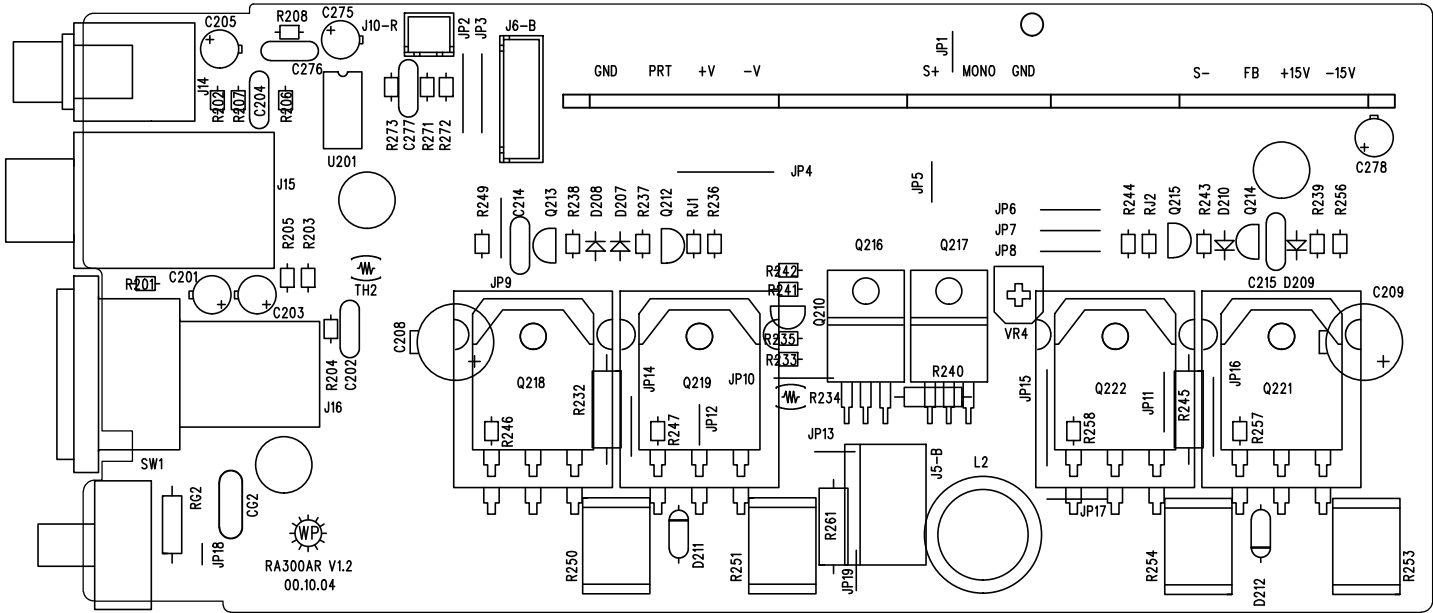


HOMNI ENTERPRISES CO.,LTD
 RA300AL V1.1 00.10.04



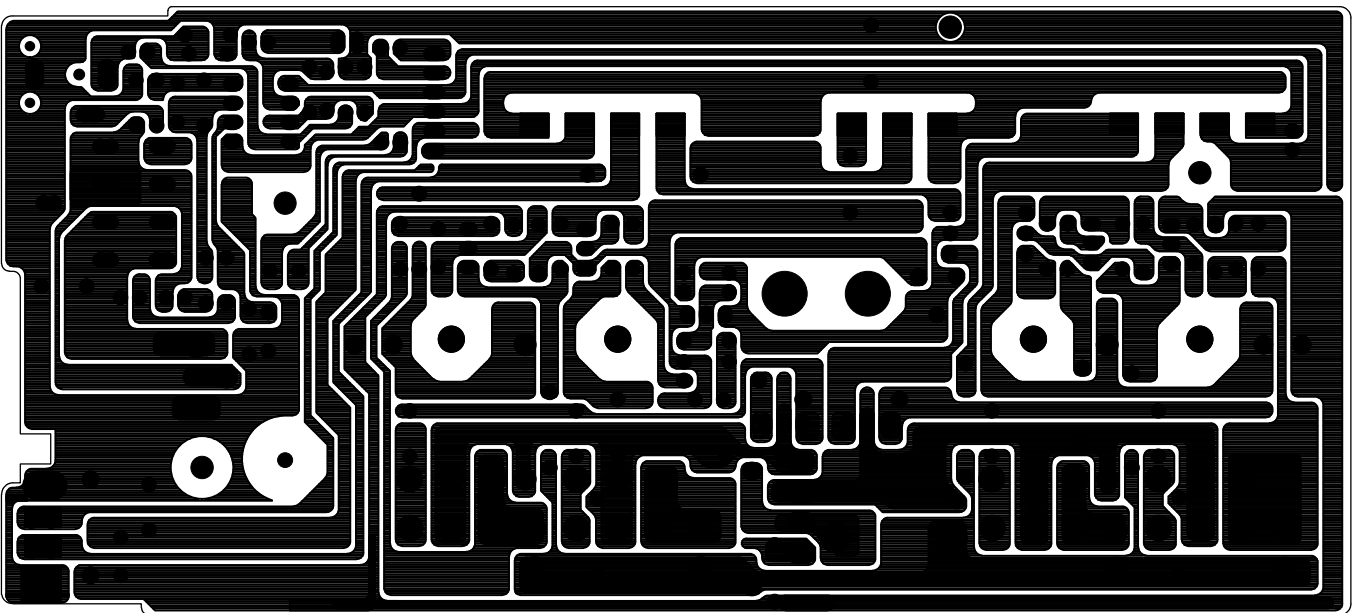


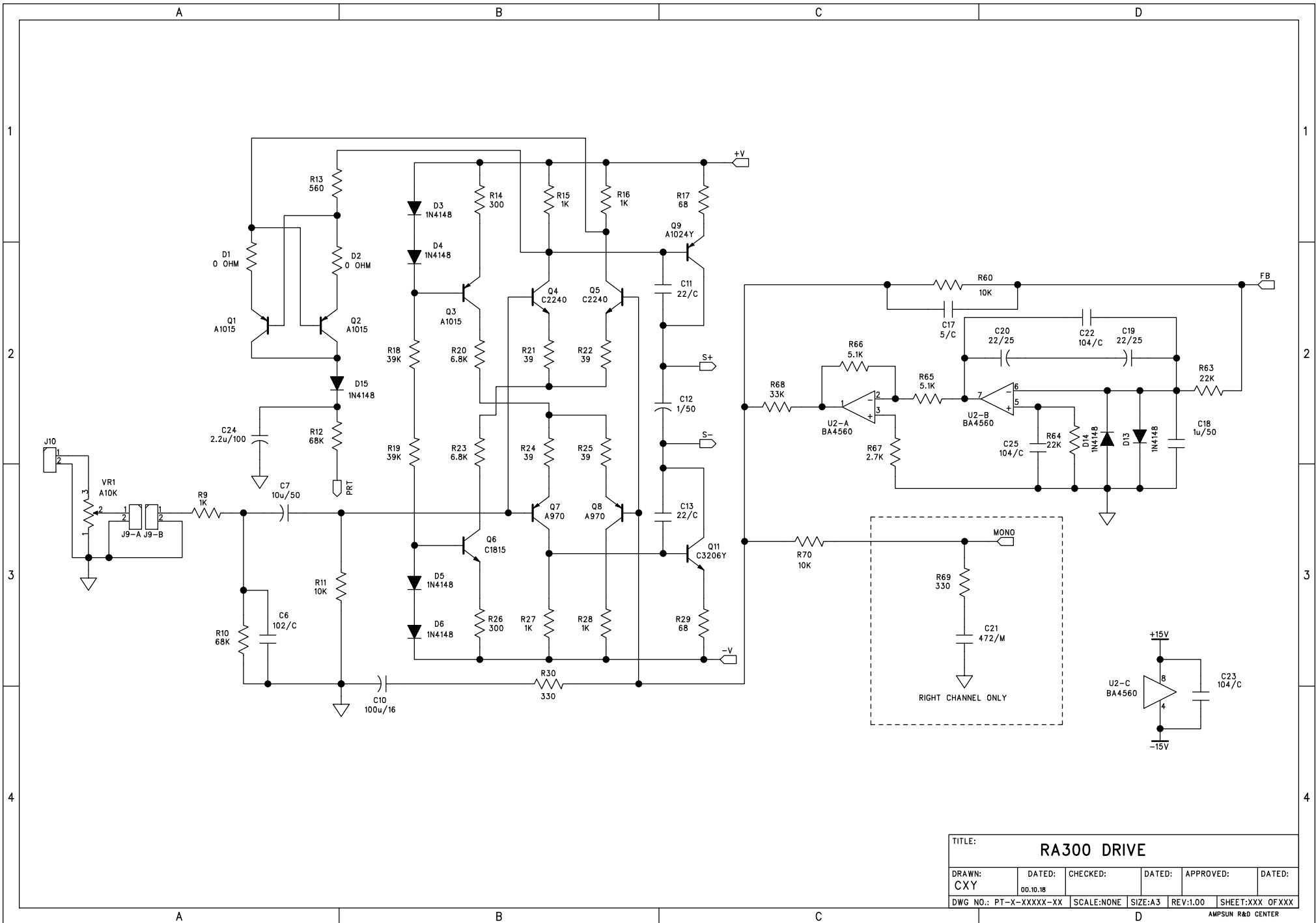
| | | | | | |
|------------------------------------|-----------------|----------|----------|-----------------|--------|
| TITLE: RA300 POWER AMPLIFIER(R CH) | | | | | |
| DRAWN: CXY | DATED: 00.10.18 | CHECKED: | DATED: | APPROVED: | DATED: |
| DWG NO.: PT-X-XXXXX-XX | SCALE:NONE | SIZE:A3 | REV:1.00 | SHEET:XXX OFXXX | |
| AMPSUN R&D CENTER | | | | | |



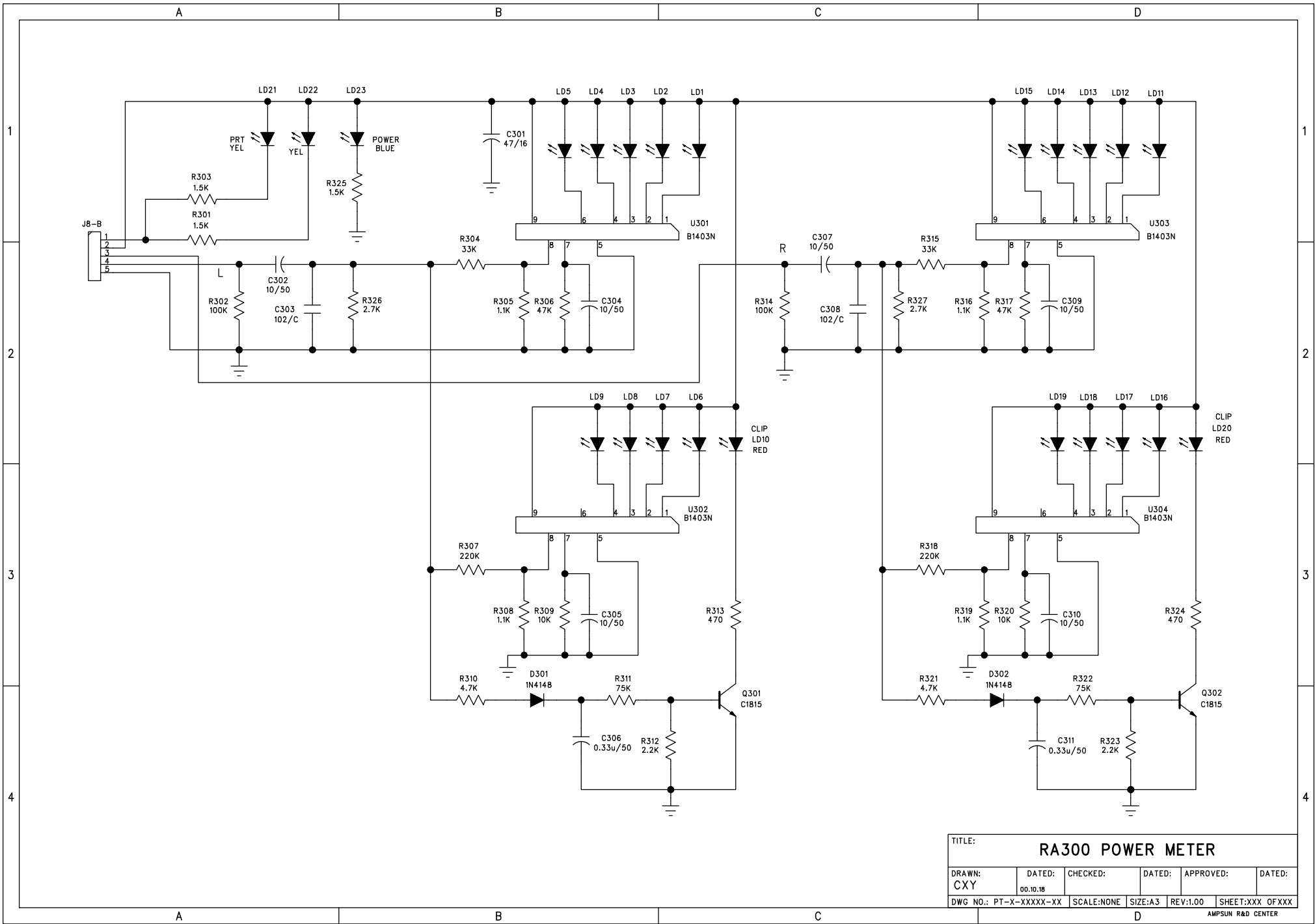
RA3000AR V1.2
00.10.04

HOMNI ENTERPRISES CO.,LTD
RA3000AR V1.1 00.10.04
SILKSCREEN TOP SIDE

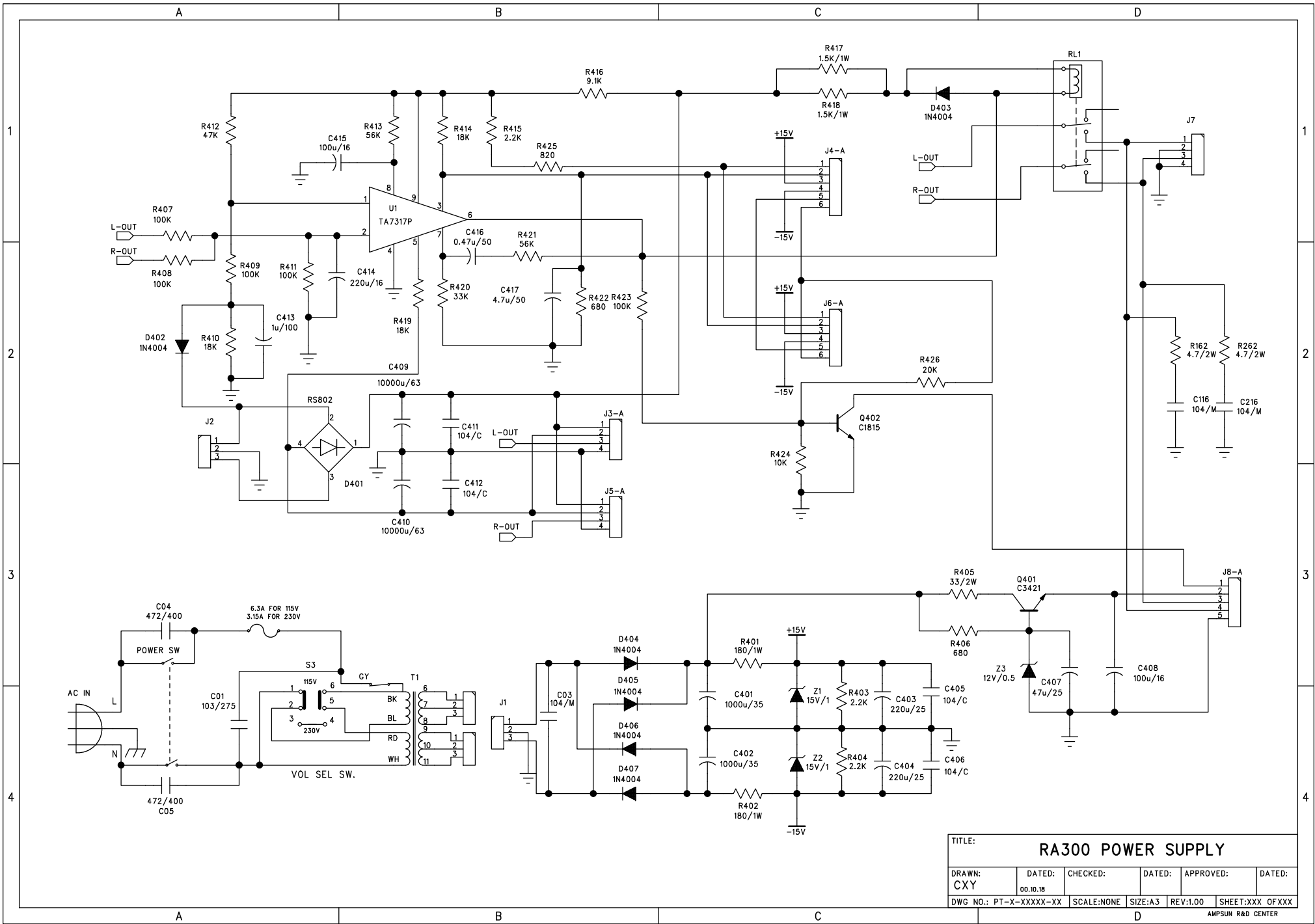




| | | | | | |
|-----------------------|-----------------|----------|-----------|-------------------|--------|
| TITLE: RA300 DRIVE | | | | | |
| DRAWN: CXY | DATED: 00.10.18 | CHECKED: | DATED: | APPROVED: | DATED: |
| DWG NO.: PT-X-XXXX-XX | SCALE: NONE | SIZE: A3 | REV: 1.00 | SHEET: XXX OF XXX | |
| AMPSUN R&D CENTER | | | | | |



| | | | | | |
|--------------------------|-----------------|----------|-----------|-------------------|--------|
| TITLE: RA300 POWER METER | | | | | |
| DRAWN: CXY | DATED: 00.10.18 | CHECKED: | DATED: | APPROVED: | DATED: |
| DWG NO.: PT-X-XXXX-XX | SCALE: NONE | SIZE: A3 | REV: 1.00 | SHEET: XXX OF XXX | |
| AMPSUN R&D CENTER | | | | | |



| | | | | | |
|---------------------------|-----------------|----------|-----------|-------------------|--------|
| TITLE: RA300 POWER SUPPLY | | | | | |
| DRAWN: CXY | DATED: 00.10.18 | CHECKED: | DATED: | APPROVED: | DATED: |
| DWG NO.: PT-X-XXXX-XX | SCALE: NONE | SIZE: A3 | REV: 1.00 | SHEET: XXX OF XXX | |

6

5

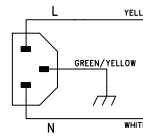
4

3

2

1

IEC CONNECTOR



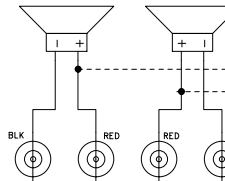
POWER SW PCB

16.3L250V FOR 115V
13.0L250V FOR 230V

F1

STEREO

4 OHM L 4 OHM R



BINDING POST

MONO
8 OHM

D

D

C

C

B

B

A

A

L CHANNEL DRIVE PCB

L CHANNEL VR PCB

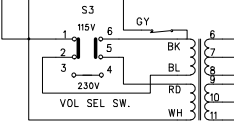
L CHANNEL AMP PCB

POWER SUPPLY PCB

R CHANNEL AMP PCB

R CHANNEL DRIVE PCB

R CHANNEL VR PCB



VOL SEL. SW.

LED METER PCB

| | | | | | |
|-------------------------------------|--------------------|----------|-----------|---------------|--------|
| COMPANY: HOMNI ENTERPRISES CO.,LTD. | | | | | |
| TITLE: RA300 WIRING DIGRAM | | | | | |
| DRAWN: CXY | DATED: 00.12.02 | CHECKED: | DATED: | APPROVED: | DATED: |
| DWG NO: PT-X-XXXXX-XX | SCALE: NONE | SIZE: A2 | REV: 1.00 | SHEET: X OF X | |

RA300 (G5) BOM

BOM

| BOM | | | | | | |
|----------|----------------|-----------------|-----------------|--|--|-------------|
| | | | | | PE-QT-016-A | |
| ? | PRODUCT | | HOME AMP | | MODEL | PAGE |
| | | | | | RA300(2*150W)AMP BOARD(L CHANNEL) | |
| ? | NO. | PART NO. | MATERIAL | | SPECIFICATION | QTY |
| ? | 1 | CB0118001000 | PCB | | RA300AL,V1.2,178.5*80.5mm,2OZ | 1 |
| | 2 | JP1080750000 | JUMPER | | F0.8*7.5mm | 5 |
| | 3 | JP1081000000 | JUMPER | | F0.8*10mm | 9 |
| | 4 | JP1081250000 | JUMPER | | F0.8*12.5mm | 1 |
| | 5 | JP1081500000 | JUMPER | | F0.8*15mm | 1 |
| | 6 | RR0100000210 | C/R | | 1/8W,0 ohm,+/-5% | 3 |
| | 7 | RR0101000210 | C/R | | 1/8W,10 ohm,+/-5% | 4 |
| | 8 | RR0104700210 | C/R | | 1/8W,47 ohm,+/-5% | 1 |
| | 9 | RR0110000210 | C/R | | 1/8W,100 ohm,+/-5% | 2 |
| | 10 | RR0120000210 | C/R | | 1/8W,200 ohm,+/-5% | 2 |
| | 11 | RR0156000210 | C/R | | 1/8W,560 ohm,+/-5% | 1 |
| | 12 | RR0168000210 | C/R | | 1/8W,680 ohm,+/-5% | 2 |
| | 13 | RR0191000210 | C/R | | 1/8W,910 ohm,+/-5% | 1 |
| | 14 | RR0110010210 | C/R | | 1/8W,1K ohm,+/-5% | 1 |
| ? | 15 | RR0115010210 | C/R | | 1/8W,1.5K ohm,+/-5% | 2 |
| | 16 | RR0156010210 | C/R | | 1/8W,5.6K ohm,+/-5% | 2 |
| | 17 | RR0115020210 | C/R | | 1/8W,15K ohm,+/-5% | 2 |
| | 18 | RR0120020210 | C/R | | 1/8W,20K ohm,+/-5% | 1 |
| | 19 | RR0147020210 | C/R | | 1/8W,47K ohm,+/-5% | 2 |
| | 20 | RR0110030210 | C/R | | 1/8W,100K ohm,+/-5% | 1 |
| | 21 | RR0122000410 | C/R | | 1/2W,220 ohm,+/-5% | 1 |
| | 22 | RR0468000210 | M/R | | 1/8W,680 ohm,+/-1% | 1 |
| | 23 | RR0412010210 | M/R | | 1/8W,1.2K ohm,+/-1% | 1 |
| | 24 | RR0300470410 | MO/R | | 1/2W,4.7 ohm,+/-5% | 1 |
| | 25 | RR0301000520 | MO/R | | 1W,10 ohm,+/-5% | 1 |
| | 26 | RR0302000620 | MO/R | | 2W,20 ohm,+/-5% | 2 |
| | 27 | RR0700022842 | CEMENT RES | | 5W,0.22 ohm,+/-5%, 13*9*25mm | 4 |
| | 28 | RR0810010000 | THERMAL RES | | 1K ohm,+/-5%,????? | 1 |
| | 29 | RR0820020001 | THERMAL RES | | 20K ohm,+/-5%,?????,????? | 1 |
| | 30 | CC1100005110 | C/C | | 101/50V,+/-5%,NPO | 2 |
| | 31 | CC1220005110 | C/C | | 221/50V,+/-5%,NPO | 1 |

| | | | | | | | |
|---|----|--------------|--|----------------|--|---------------------------------------|---|
| ? | 32 | CC1220105520 | | C/C | | 222/50V,+/-10%,Y5P | 1 |
| ? | 33 | CC2100309010 | | M/C | | 104/100V,+/-5% | 1 |
| | 34 | CC2470109010 | | M/C | | 472/100V,+/-5% | 2 |
| | 35 | EC1100505120 | | E/C | | 10UF/50V,+/-20%,85?,F5*12mm | 5 |
| | 36 | EC1100609120 | | E/C | | 100UF/100V,+/-20%,85?,F10*20mm | 2 |
| | 37 | IC0710553200 | | IC | | NE5532P,DIP8 | 1 |
| | 38 | DI0100414800 | | DIODE | | 1N4148,75V,200mA,1/2W | 4 |
| | 39 | DI0100400400 | | DIODE | | 1N4004,400V,1A | 2 |
| | 40 | TR0103018150 | | TR | | 2SC1815GR,150mA,50V,400mW,NPN | 1 |
| ? | 41 | TR0204010150 | | TR | | 2SA1015GR,150mA,50V,400mW,PNP | 1 |
| | 42 | TR0116032060 | | TR | | C3206Y,KEC | 1 |
| | 43 | TR0215010240 | | TR | | A1024Y,KEC | 1 |
| | 44 | TR0101000130 | | TR | | MPSA13,500mA,30V,625mV,NPN,DARLINGTON | 1 |
| | 45 | TR0103047930 | | TR | | 2SC4793,NPN | 1 |
| | 46 | TR0204018370 | | TR | | 2SA1837,PNP | 1 |
| | 47 | TR0103052000 | | TR | | 2SC5200,15A,230V,150W,NPN | 2 |
| ? | 48 | TR0204019430 | | TR | | 2SA1943,15A,230V,150W,PNP | 2 |
| ? | 49 | LN3151000100 | | NARROW CHOKE | | ERECT,1.2UH | 1 |
| | 50 | VR5033100200 | | TRIM VR | | 331B,F-637V-TR | 1 |
| | 51 | RA1032010000 | | RCA JACK | | AV-8.4-3,3PIN WHITE,GILD | 1 |
| | 52 | JA0800000000 | | 6.35 JACK | | CK3-6.35-02B,GILD, WITH PLASTIC NUT | 1 |
| ? | 53 | JA0703200000 | | XLR JACK | | 900C ANGLE,94M-007P1 | 1 |
| | 54 | JA0102110000 | | 2P SOCKET | | 2532-02-180 DEGREE,P=2.54mm | 1 |
| | 55 | AL5801200410 | | 4PIN PLUG WIRE | | 18#,4P,P=4.0,L=120mm,WITH 8639 PLUG | 1 |
| ? | 56 | AL5201500621 | | 6PIN PLUG WIRE | | 22#,6P,P=2.54,L=150mm | 1 |
| | | | | | | | |

BOM

| PE-QT-016-A | | | | | | | |
|-------------|---------|--------------|----------|-------------|-------|--|------|
| ? | PRODUCT | | HOME AMP | | MODEL | RA300(2*150W)AMP BOARD PARTS(R CHANNEL) | PAGE |
| ? | NO. | PART NO. | | MATERIAL | | SPECIFICATION | QTY |
| ? | 1 | CB0118001001 | | PCB | | RA300AR,V1.2,178.5*80.5mm,2OZ?? | 1 |
| | 2 | JP1080500000 | | JUMPER | | F0.8*5mm | 1 |
| | 3 | JP1080750000 | | JUMPER | | F0.8*7.5mm | 5 |
| | 4 | JP1081000000 | | JUMPER | | F0.8*10mm | 8 |
| | 5 | JP1081250000 | | JUMPER | | F0.8*12.5mm | 3 |
| | 6 | JP1081500000 | | JUMPER | | F0.8*15mm | 2 |
| | 7 | RR0100000210 | | C/R | | 1/8W,0 ohm,+/-5% | 2 |
| | 8 | RR0101000210 | | C/R | | 1/8W,10 ohm,+/-5% | 4 |
| | 9 | RR0104700210 | | C/R | | 1/8W,47 ohm,+/-5% | 1 |
| | 10 | RR0110000210 | | C/R | | 1/8W,100 ohm,+/-5% | 2 |
| | 11 | RR0120000210 | | C/R | | 1/8W,200 ohm,+/-5% | 2 |
| | 12 | RR0156000210 | | C/R | | 1/8W,560 ohm,+/-5% | 1 |
| | 13 | RR0168000210 | | C/R | | 1/8W,680 ohm,+/-5% | 2 |
| | 14 | RR0191000210 | | C/R | | 1/8W,910 ohm,+/-5%,?? | 1 |
| ? | 15 | RR0110010210 | | C/R | | 1/8W,1K ohm,+/-5% | 1 |
| | 16 | RR0115010210 | | C/R | | 1/8W,1.5K ohm,+/-5% | 2 |
| | 17 | RR0156010210 | | C/R | | 1/8W,5.6K ohm,+/-5% | 2 |
| | 18 | RR0115020210 | | C/R | | 1/8W,15K ohm,+/-5% | 2 |
| | 19 | RR0120020210 | | C/R | | 1/8W,20K ohm,+/-5% | 1 |
| | 20 | RR0147020210 | | C/R | | 1/8W,47K ohm,+/-5% | 2 |
| | 21 | RR0110030210 | | C/R | | 1/8W,100K ohm,+/-5% | 1 |
| | 22 | RR0122000410 | | C/R | | 1/2W,220 ohm,+/-5% | 1 |
| | 23 | RR0468000210 | | M/R | | 1/8W,680 ohm,+/-1% | 1 |
| | 24 | RR0412010210 | | M/R | | 1/8W,1.2K ohm,+/-1% | 1 |
| | 25 | RR0300470410 | | MO/R | | 1/2W,4.7 ohm,+/-5% | 1 |
| | 26 | RR0301000520 | | MO/R | | 1W,10 ohm,+/-5% | 1 |
| | 27 | RR0302000620 | | MO/R | | 2W,20 ohm,+/-5% | 2 |
| | 28 | RR0700022842 | | CEMENT RES | | 5W,0.22 ohm,+/-5%,ERECT,13*9*25mm | 4 |
| | 29 | RR0810010000 | | THERMAL RES | | 1K ohm,+/-5%,NEG TEMPERATER DEGREE | 1 |
| | 30 | RR0820020001 | | THERMAL RES | | 20K ohm,+/-5%,NEG TEMP DEGREE, WITH FIXED IRON | 1 |
| | 31 | CC1100005110 | | C/C | | 101/50V,+/-5%,NPO | 2 |

| | | | | | | | |
|---|----|--------------|--|--------------|--|---------------------------------------|---|
| ? | 32 | CC1220005110 | | C/C | | 221/50V,+/-5%,NPO | 1 |
| ? | 33 | CC1220105520 | | C/C | | 222/50V,+/-10%,Y5P | 1 |
| | 34 | CC2100309010 | | M/C | | 104/100V,+/-5% | 1 |
| | 35 | CC2470109010 | | M/C | | 472/100V,+/-5% | 2 |
| | 36 | EC1100505120 | | E/C | | 10UF/50V,+/-20%,85?,F5*12mm | 5 |
| | 37 | EC1100609120 | | E/C | | 100UF/100V,+/-20%,85?,F10*20mm | 2 |
| | 38 | IC0710553200 | | IC | | NE5532P,DIP8 | 1 |
| | 39 | DI0100414800 | | DIODE | | 1N4148,75V,200mA,1/2W | 4 |
| | 40 | DI0100400400 | | DIODE | | 1N4004,400V,1A | 2 |
| ? | 41 | TR0103018150 | | TR | | 2SC1815GR,150mA,50V,400mW,NPN | 1 |
| | 42 | TR0204010150 | | TR | | 2SA1015GR,150mA,50V,400mW,PNP | 1 |
| | 43 | TR0116032060 | | TR | | C3206Y,KEC | 1 |
| | 44 | TR0215010240 | | TR | | A1024Y,KEC | 1 |
| | 45 | TR0101000130 | | TR | | MPSA13,500mA,30V,625mV,NPN,DARLINGTON | 1 |
| | 46 | TR0103047930 | | TR | | 2SC4793,NPN | 1 |
| | 47 | TR0204018370 | | TR | | 2SA1837,PNP | 1 |
| | 48 | TR0103052000 | | TR | | 2SC5200,15A,230V,150W,NPN | 2 |
| ? | 49 | TR0204019430 | | TR | | 2SA1943,15A,230V,150W,PNP | 2 |
| ? | 50 | LN3151000100 | | NARROW CHOKE | | ERECT,1.2UH | 1 |
| | 51 | VR5033100200 | | TRIM VR | | 331B,F-637V-TR | 1 |
| | 52 | RA1032010000 | | RCA JACK | | AV-8.4-3,3PIN ,RED,GILD | 1 |
| | 53 | JA0800000000 | | 6.35 JACK | | CK3-6.35-02B,GILD,WITH PLASTIC NUT | 1 |
| ? | 54 | JA0703200000 | | XLR JACK | | 900C ANGLE,94M-007P1 | 1 |
| | 55 | JA0102110000 | | 2P SOCKET | | 2532-02-180DEGREE,P=2.54mm | 1 |
| | 56 | SW0202204000 | | SWITCH | | SK-22F03-G04,L=4mm(COMAX) | 1 |
| | 57 | AL5803500410 | | 4 PIN SOCKET | | 18#,4P,P=4.0,L=350mm,WITH 8639 PLUG | 1 |
| ? | 58 | AL5203500620 | | 6 PIN SOCKET | | 22#,6P,P=2.54,L=350mm, | 1 |
| | | | | | | | |

BOM

| PE-QT-016-A | | | | | | |
|-------------|----------|--------------|------------------|--|--|------|
| ? | RPRODUCT | HOME AMP | MODEL | RA300(2*150W)AMP DRIVER BOARD PARTS(L CHANNEL) | | PAGE |
| ? | NO. | PART NO. | MATERIAL | SPECIFICATION | | QTY |
| ? | 1 | CB0818101000 | PCB | RA500DRV,V1.1(120*38mm),2OZ?? | | 1 |
| | 2 | JP1080500000 | JUMPER | F0.8*5mm | | 3 |
| | 3 | JP1081000000 | JUMPER | F0.8*10mm | | 1 |
| | 4 | JP1081500000 | JUMPER | F0.8*15mm | | 1 |
| | 5 | RR0433000210 | M/R | 1/8W,330 ohm,+/-1% | | 1 |
| | 6 | RR0410020210 | M/R | 1/8W,10K ohm,+/-1% | | 2 |
| | 7 | RR0100000210 | C/R | 1/8W,0 ohm,+/-5% | | 3 |
| | 8 | RR0103900210 | C/R | 1/8W,39 ohm,+/-5% | | 4 |
| | 9 | RR0104700210 | C/R | 1/8W,68 ohm,+/-5% | | 2 |
| | 10 | RR0127000210 | C/R | 1/8W,300 ohm,+/-5% | | 2 |
| | 11 | RR0156000210 | C/R | 1/8W,560 ohm,+/-5% | | 1 |
| | 12 | RR0110010210 | C/R | 1/8W,1K ohm,+/-5% | | 5 |
| | 13 | RR0127010210 | C/R | 1/8W,2.7K ohm,+/-5% | | 1 |
| | 14 | RR0151010210 | C/R | 1/8W,5.1K ohm,+/-5% | | 2 |
| | 15 | RR0168010210 | C/R | 1/8W,6.8K ohm,+/-5% | | 2 |
| ? | 16 | RR0110020210 | C/R | 1/8W,10K ohm,+/-5% | | 1 |
| | 17 | RR0122020210 | C/R | 1/8W,22K ohm,+/-5% | | 2 |
| | 18 | RR0133020210 | C/R | 1/8W,33K ohm,+/-5% | | 1 |
| | 19 | RR0139020210 | C/R | 1/8W,39K ohm,+/-5% | | 2 |
| | 20 | RR0168020210 | C/R | 1/8W,68K ohm,+/-5% | | 2 |
| | 21 | CC1005005110 | C/C | 5PF/50V,+/-5%,NPO | | 1 |
| | 22 | CC1022009110 | C/C | 22PF/100V,+/-5%,NPO | | 2 |
| | 23 | CC1100105520 | C/C | 102/50V,+/-10%,Y5P | | 1 |
| | 24 | CC1100305250 | C/C | 104/50V,+80/-20%,Y5V | | 3 |
| | 25 | EC4100405120 | NON POLARITY E/C | 1UF/50V,+/-20%,85?,F4*7mm | | 1 |
| | 26 | EC1100405120 | E/C | 1UF/50V,+/-20%,85?,F5*12mm | | 1 |
| | 27 | EC1220409120 | E/C | 2.2UF/100V,+/-20%,85?,F5*12mm | | 1 |
| | 28 | EC1100505120 | E/C | 10UF/50V,+/-20%,85?,F5*12mm | | 1 |
| | 29 | EC1220503120 | E/C | 22UF/25V,+/-20%,85?,F5*12mm | | 2 |
| | 30 | EC3100602120 | LOW LEAKAGE E/C | 100UF/16V,+/-20%,85?,F6.3*11mm | | 1 |
| | 31 | IC0110456000 | IC | BA4560,DIP8 | | 1 |
| ? | 32 | DI0100414800 | DIODE | 1N4148,75V,200mA,1/2W | | 7 |
| ? | 31 | TR0103018150 | TR | 2SC1815GR,150mA,50V,400mW,NPN | | 1 |

| | | | | | | | |
|---|----|--------------|--|-----------------|--|---------------------------------|---|
| | 32 | TR0204010150 | | TR | | 2SA1015GR,150mA,50V,400mW,PNP | 3 |
| ? | 33 | TR0103022400 | | TR | | 2SC2240,100mA,120V,400mW,NPN | 2 |
| | 34 | TR0204009700 | | TR | | 2SA970,100mA,120V,400mW,PNP | 2 |
| | 35 | TR0215010240 | | TR | | A1024Y,KEC | 1 |
| ? | 36 | TR0116032060 | | TR | | C3206Y,KEC | 1 |
| ? | 37 | JA0102110000 | | 2P SOCKET | | 2532-02-180?,P=2.54mm | 1 |
| | 38 | AL3501800220 | | 2P SHIELD CABLE | | 2P,P=2.54mm,L=180mm | 1 |
| ? | 39 | AL3502200220 | | 2P SHIELD CABLE | | 2P,P=2.54mm,L=220mm | 1 |
| | 40 | VR1210307200 | | VR | | F10K,AV16A-20-F14(ALPHA),L=20mm | 1 |
| | | ??: | | | | | |

BOM

| PE-QT-016-A | | | | | | | |
|-------------|---------|--------------|----------|------------------|-------|--|------|
| ? | PRODUCT | | HOME AMP | | MODEL | RA300(2*150W)AMP DRIVER BOARD PARTS(R CHANNEL) | PAGE |
| ? | NO. | PART NO. | | MATERIAL | | SPECIFICATION | QTY |
| ? | 1 | CB0818101000 | | PCB | | RA500DRV,V1.1(120*38mm),2OZ?? | 1 |
| | 2 | JP1080500000 | | JUMPER | | F0.8*5mm | 2 |
| | 3 | JP1081000000 | | JUMPER | | F0.8*10mm | 1 |
| | 4 | JP1081500000 | | JUMPER | | F0.8*15mm | 2 |
| | 5 | RR0433000210 | | M/R | | 1/8W,330 ohm,+/-1% | 2 |
| | 6 | RR0410020210 | | M/R | | 1/8W,10K ohm,+/-1% | 2 |
| | 7 | RR0100000210 | | C/R | | 1/8W,0 ohm,+/-5% | 3 |
| | 8 | RR0103900210 | | C/R | | 1/8W,39 ohm,+/-5% | 4 |
| | 9 | RR0104700210 | | C/R | | 1/8W,68 ohm,+/-5% | 2 |
| | 10 | RR0127000210 | | C/R | | 1/8W,300 ohm,+/-5% | 2 |
| | 11 | RR0156000210 | | C/R | | 1/8W,560 ohm,+/-5% | 1 |
| | 12 | RR0110010210 | | C/R | | 1/8W,1K ohm,+/-5% | 5 |
| | 13 | RR0127010210 | | C/R | | 1/8W,2.7K ohm,+/-5% | 1 |
| | 14 | RR0151010210 | | C/R | | 1/8W,5.1K ohm,+/-5% | 2 |
| | 15 | RR0168010210 | | C/R | | 1/8W,6.8K ohm,+/-5% | 2 |
| ? | 16 | RR0110020210 | | C/R | | 1/8W,10K ohm,+/-5% | 1 |
| | 17 | RR0122020210 | | C/R | | 1/8W,33K ohm,+/-5% | 1 |
| | 18 | RR0133020210 | | C/R | | 1/8W,39K ohm,+/-6% | 2 |
| | 19 | RR0139020210 | | C/R | | 1/8W,68K ohm,+/-5% | 2 |
| | 20 | RR0168020210 | | C/R | | 1/8W,22K ohm,+/-5% | 1 |
| | 21 | CC1005005110 | | C/C | | 5PF/50V,+/-5%,NPO | 1 |
| | 22 | CC1022009110 | | C/C | | 22PF/100V,+/-5%,NPO | 2 |
| | 23 | CC1100105520 | | C/C | | 102/50V,+/-10%,Y5P | 1 |
| | 24 | CC1100305250 | | C/C | | 104/50V,+80/-20%,Y5V | 3 |
| | 25 | CC2470109010 | | M/C | | 472/100V,+/-5% | 1 |
| | 26 | EC4100405120 | | NON POLARITY E/C | | 1UF/50V,+/-20%,85?,F4*7mm | 1 |
| | 27 | EC1100405120 | | E/C | | 1UF/50V,+/-20%,85?,F5*12mm | 1 |
| | 28 | EC1220409120 | | E/C | | 2.2UF/100V,+/-20%,85?,F5*12mm | 1 |
| | 29 | EC1100505120 | | E/C | | 10UF/50V,+/-20%,85?,F5*12mm | 1 |
| | 30 | EC1220503120 | | E/C | | 22UF/25V,+/-20%,85?,F5*12mm | 2 |
| | 31 | EC3100602120 | | LOW LEAKAGE E/C | | 100UF/16V,+/-20%,85?,F6.3*11mm | 1 |

| | | | | | | |
|---|----|--------------|--|-----------------|---------------------------------|---|
| ? | 32 | IC0110456000 | | IC | BA4560,DIP8 | 1 |
| ? | 33 | DI0100414800 | | DIODE | 1N4148,75V,200mA,1/2W | 7 |
| | 34 | TR0103018150 | | TR | 2SC1815GR,150mA,50V,400mW,NPN | 1 |
| | 35 | TR0204010150 | | TR | 2SA1015GR,150mA,50V,400mW,PNP | 3 |
| ? | 36 | TR0103022400 | | TR | 2SC2240,100mA,120V,400mW,NPN | 2 |
| | 37 | TR0204009700 | | TR | 2SA970,100mA,120V,400mW,PNP | 2 |
| | 38 | TR0215010240 | | TR | A1024Y,KEC | 1 |
| ? | 39 | TR0116032060 | | TR | C3206Y,KEC | 1 |
| ? | 40 | JA0102110000 | | 2P SOCKET | 2532-02-180 ,P=2.54mm | 1 |
| | 41 | AL3501800220 | | 2P SHIELD CABLE | 2P,P=2.54mm,L=180mm | 1 |
| ? | 42 | AL3502200220 | | 2P SHIELD CABLE | 2P,P=2.54mm,L=220mm | 1 |
| | 43 | VR1210307200 | | VR | F10K,RV16A-20-F14(ALPHA),L=20mm | 1 |
| | | | | | | |

BOM

| PE-QT-016-A | | | | | | |
|-------------|---------|--------------|----------|------------------------------------|------|--|
| ? | PRODUCT | HOME AMP | MODEL | RA300(2*150W)AMP POWER BOARD PARTS | PAGE | |
| ? | NO. | PART NO. | MATERIAL | SPECIFICATION | QTY | |
| ? | 1 | CB0918101000 | PCB | RA500PWR,V1.1 (179*90mm),2OZ?? | 1 | |
| | 2 | JP1080500000 | JUMPER | F0.8*5mm | 1 | |
| | 3 | JP1080750000 | JUMPER | F0.8*7.5mm | 1 | |
| | 4 | JP1081000000 | JUMPER | F0.8*10mm | 3 | |
| | 5 | JP1081250000 | JUMPER | F0.8*12.5mm | 1 | |
| | 6 | JP1081500000 | JUMPER | F0.8*15mm | 6 | |
| | 7 | JP1082000000 | JUMPER | F0.8*20mm | 3 | |
| | 8 | RR0100000210 | C/R | 1/8W,0 ohm,+/-5% | 1 | |
| | 9 | RR0168000210 | C/R | 1/8W,680 ohm,+/-5% | 1 | |
| | 10 | RR0122010210 | C/R | 1/8W,2.2K ohm,+/-5% | 2 | |
| | 11 | RR0191010210 | C/R | 1/8W,9.1K ohm,+/-6%, | 1 | |
| | 12 | RR0110020210 | C/R | 1/8W,10K ohm,+/-5%, | 1 | |
| | 13 | RR0118020210 | C/R | 1/8W,18K ohm,+/-5%, | 3 | |
| ? | 14 | RR0120020210 | C/R | 1/8W,20K ohm,+/-5%, | 1 | |
| | 15 | RR0133020210 | C/R | 1/8W,33K ohm,+/-5%, | 1 | |
| | 16 | RR0147020210 | C/R | 1/8W,47K ohm,+/-5%, | 1 | |
| | 17 | RR0156020210 | C/R | 1/8W,56K ohm,+/-5%, | 2 | |
| | 18 | RR0110030210 | C/R | 1/8W,100K ohm,+/-5%, | 5 | |
| | 19 | RR0468000210 | M/R | 1/8W,680 ohm,+/-1%, | 1 | |
| | 20 | RR0482000210 | M/R | 1/8W,820 ohm,+/-1%, | 1 | |
| | 21 | RR0422010210 | M/R | 1/8W,2.2K ohm,+/-1%, | 1 | |
| | 22 | RR0303300650 | MO/R | 2W,33 ohm,+/-5% | 1 | |
| | 23 | RR0318000550 | MO/R | 1W,180 ohm,+/-5% | 2 | |
| | 24 | RR0315010550 | MO/R | 1W,1.5K ohm,+/-5% | 2 | |
| | 25 | RR0300470620 | MO/R | 2W,4.7 ohm,+/-5%, | 2 | |
| | 26 | CC1100309250 | C/C | 104/100V,+80/-20%,Y5V | 4 | |
| | 27 | CC2100309010 | M/C | 104/100V,+/-5% | 4 | |
| | 28 | EC1470305120 | E/C | 0.47UF/50V,+/-20%,85?,F5*12mm | 1 | |
| | 29 | EC1100409120 | E/C | 1UF/100V,+/-20%,85?,F5*12mm | 1 | |
| | 30 | EC1470405120 | E/C | 4.7UF/50V,+/-20%,85?,F5*12mm | 1 | |
| ? | 31 | EC1470503120 | E/C | 47UF/25V,+/-20%,85?,F5*12mm | 1 | |

| | | | | | | | |
|---|----|--------------|--|------------------|--|--|---|
| ? | 32 | EC1100602120 | | E/C | | 100UF/16V,+/-20%,85?,F5*12mm | 2 |
| | 33 | EC1220602120 | | E/C | | 220UF/16V,+/-20%,85?,F6.3*12mm | 1 |
| | 34 | EC1220603121 | | E/C | | 220UF/25V,+/-20%,85?,F8*12mm | 2 |
| | 35 | EC1680705130 | | E/C | | 1000UF/35V,+50/-0%,85?,F13*21mm | 2 |
| | 36 | EC1100806130 | | E/C | | 10000UF/63V,+50/-0%,85?,F30*52mm | 2 |
| | 37 | CC8470115030 | | APPROVED CAP | | 472/400V,+/-20%,C/C,(NEED UL,CE APPROVED) | 2 |
| | 38 | CC8100214020 | | APPROVED CAP | | 103/275V,+/-20%,(NEED UL CE APPROVED) | 1 |
| ? | 39 | IC0620731700 | | IC | | TA7317P,SIP9 | 1 |
| | 40 | ZD1012010000 | | ZENNER DIODE | | 12V,1/2W | 1 |
| | 41 | ZD1015020000 | | ZENNER DIODE | | 1W,15V | 2 |
| | 42 | DI0100400400 | | DIODE | | 1N4004,400V,1A | 6 |
| | 43 | DI0300080200 | | BRIDGE RECTIFIER | | RS802,8A/200V | 1 |
| | 44 | TR0103018150 | | TR | | 2SC1815GR,150mA,50V,400mW,NPN | 1 |
| ? | 45 | TR0103034210 | | TR | | C3421,NPN | 1 |
| ? | 46 | JA0102320000 | | SOCKET | | 2PIN,PITCH=4mm | 1 |
| | 47 | JA0103320000 | | SOCKET | | 3PIN,PITCH=4mm | 1 |
| | 48 | JA0104320000 | | SOCKET | | 4PIN,PITCH=4mm | 3 |
| | 49 | JA0103110000 | | 3P SOCKET | | 2532-03-180 ,P=2.54mm | 1 |
| ? | 50 | JA0105110000 | | 5P SOCKET | | 2532-05-180 ,P=2.54mm | 1 |
| | 51 | JA0106110000 | | 6P SOCKET | | 2532-06-180 ,P=2.54mm | 2 |
| | 52 | SW0900000000 | | POWER SWITCH | | 8212-2(CHILY),WITH M3.0*0.5mm SCREW THREAD | 1 |
| | 53 | PD6000000000 | | SLIP | | E665 | 3 |
| ? | 54 | RE8010012000 | | RELAY | | 12V,DW321-D12S,(10A) | 1 |
| | | | | | | | |

BOM

| PE-QT-016-A | | | | | | | |
|-------------|---------|--------------|----------|--------------|-------|---|------|
| ? | PRODUCT | | HOME AMP | | MODEL | RA300(2*150W) AMP POWER INDICATOR PARTS | PAGE |
| ? | NO. | PART NO. | | MATERIAL | | SPECIFICATION | QTY |
| ? | 1 | CB1017901000 | | PCB | | RA500LED,V1.1 (125*40mm),2OZ | 1 |
| | 2 | JP1080500000 | | JUMER | | F0.8*5mm | 3 |
| | 3 | RR0147000210 | | C/R | | 1/8W,470 ohm,+/-5%, | 2 |
| | 4 | RR0111010210 | | C/R | | 1/8W,1.1K ohm,+/-5%, | 4 |
| | 5 | RR0115010210 | | C/R | | 1/8W,1.5K ohm,+/-5%, | 3 |
| | 6 | RR0122010210 | | C/R | | 1/8W,2.2K ohm,+/-5%, | 2 |
| | 7 | RR0127010210 | | C/R | | 1/8W,2.7K ohm,+/-5%, | 2 |
| | 8 | RR0147010210 | | C/R | | 1/8W,4.7K ohm,+/-5%, | 2 |
| | 9 | RR0110020210 | | C/R | | 1/8W,10K ohm,+/-5%, | 2 |
| ? | 10 | RR0133020210 | | C/R | | 1/8W,33K ohm,+/-5%, | 2 |
| | 11 | RR0147020210 | | C/R | | 1/8W,47K ohm,+/-5%, | 2 |
| | 12 | RR0175020210 | | C/R | | 1/8W,75K ohm,+/-5%, | 2 |
| | 13 | RR0110030210 | | C/R | | 1/8W,100K ohm,+/-5%, | 2 |
| | 14 | RR0122030210 | | C/R | | 1/8W,220K ohm,+/-5%, | 2 |
| | 15 | CC1100105520 | | C/C | | 102/50V,+/-10%,Y5P | 2 |
| | 16 | EC2330305120 | | MINI E/C | | 0.33UF/50V,+/-20%,85?,F5*7mm | 2 |
| | 17 | EC2100505120 | | MINI E/C | | 10UF/50V,+/-20%,85?,F5*7mm | 6 |
| | 18 | EC1100806130 | | MINI E/C | | 47UF/16V,+/-20%,85?,F5*7mm | 1 |
| | 19 | IC1120140300 | | IC | | LB1403N,SIP9 | 4 |
| ? | 20 | DI0100414800 | | DIODE | | 1N4148,75V,200mA,1/2W | 2 |
| ? | 21 | LD0245580100 | | LED | | GREEN,LX7030,5*1mm,5*2.8mm | 18 |
| | 22 | LD0135580100 | | LED | | RED,LX7030,5*1mm,5*2.8mm | 2 |
| ? | 23 | LD0465580100 | | LED | | YELLOW,LX7030,?5*1mm,?5*2.8mm | 2 |
| | 24 | LD1012205020 | | LED | | 2*5mm, RB432NC | 1 |
| | 25 | TR0103018150 | | TR | | 2SC1815GR,150mA,50V,400mW,NPN | 2 |
| ? | 26 | AL5302000520 | | 5P PLUG WIRE | | 5PIN,P=2.54mm,24#,UL1007,L=200mm | 1 |

BOM

| BOM | | | | | | |
|-----|---------|--------------|-----------------------|---|--------------------------------------|------|
| ? | PRODUCT | HOME AMP | MODEL | PE-QT-016-A | RA300(2*150W)PROFESSIONAL AMPLIFIER | PAGE |
| ? | NO. | PART NO. | MATERIAL | SPECIFICATION | | QTY |
| ? | 1 | SM1018000000 | RA300LED PARTS | 2*150W AMP POWER INDICATORPCBPARTS | | 1 |
| | 2 | SM1118000000 | RA300PWRPARTS | 2*150W AMP POWER BOARD PARTS PARTS | | 1 |
| | 3 | SM1218000000 | RA300DRV-LPARTS | 2*150W AMP DRIVER BOARD PARTS(L CHANNEL) | | 1 |
| | 4 | SM1218000001 | RA300DRV-RPARTS | 2*150W AMP DRIVER BOARD PARTS(R CHANNEL) | | 1 |
| | 5 | SM0118000000 | RA300ALPARTS | 2*150W AMP BOARD PARTS(L CHANNEL) | | 1 |
| | 6 | SM0118000001 | RA300ARPARTS | 2*150W AMP BOARD PARTS(R CHANNEL) | | 1 |
| | 7 | FU2060125000 | FUSE | 5*20mm,GST6A250V(GST)FOR | | 1 |
| | | FU2030125000 | | 115V,5TT3A250V(5TT)FOR 230V | | |
| | 8 | FS2000000002 | FUSE HOLDER | FH-B02 | | 1 |
| | 9 | TT2221322300 | EI POWER TRANSFORMER | 300W,AC115/230V INPUT, AC39.5V*2&20V*2 OUTPUT | | 1 |
| | 10 | PP2102202800 | MICA FILM | 22*28mm | | 8 |
| | 11 | WL2150120400 | GND CABLE | L=150mm,18# YELLOW IN GREEN | | 1 |
| | 12 | WL4120050570 | UL1617CABLE | L=120mm,20# YELLOW | | 1 |
| | 13 | WL4280050560 | UL1617CABLE | L=280mm,20# YELLOW | | 1 |
| | 14 | WL4280100570 | UL1617CABLE | L=280mm,20#WHITE | | 1 |
| | 15 | WL4220050500 | UL1617CABLE | L=220mm,20#YELLOW,TINNING | | 1 |
| | 16 | WL4180100560 | UL1617CABLE | L=180mm,20#WHITE | | 1 |
| | 17 | WL4250100560 | UL1617CABLE | L=250mm,20#WHITE | | 1 |
| | 19 | WL5801800410 | 4PIN CABLE | L=180mm,18#,UL1015,PITCH=4mm | | 1 |
| | 20 | HP1233110000 | BINDING POST | A215BK ,GILD | | 2 |
| | 21 | SW1100000000 | VOLTAGE SELECT SWITCH | HF-308 | | 1 |
| | 22 | JA0403000002 | POWER SOCKET | 3PIN,3516-4) | | 1 |
| | 23 | PT1040015000 | THERMAL SLEEVE | F4*15mm,BLK | | 8 |
| | 24 | PT1200040000 | THERMAL SLEEVE | F20*40mm,BLK | | 1 |
| | 25 | PT1250040000 | THERMAL SLEEVE | F25*40mm,BLK | | 1 |
| | 26 | PT1400040000 | THERMAL SLEEVE | F40*40mm,BLK | | 1 |
| | 27 | PB0600000000 | BUSHING | F2.4*80mm | | 6 |
| ? | 28 | PB0600000001 | BUSHING | F2.5*100mm | | 8 |
| | | | | METAL PARTS | | |
| | | | | PACKAGE | | |

BOM

| BOM | | | | | | |
|-----|---------|--------------|----------|------------------|------------------------------------|------|
| | | | | | PE-QT-016-A | |
| ? | PRODUCT | | HOME AMP | | MODEL RA300(2*150W) MECHANIC PARTS | PAGE |
| ? | NO. | PART NO. | | MATERIAL | SPECIFICATION | QTY |
| ? | 1 | MT0117925800 | | TOP COVER | ?1.50MM????BLK?? | 1 |
| | 2 | MT0718025800 | | BOTTOM COVER | ?1.50MM????BLK?? | 1 |
| | 3 | MT1018025800 | | LEFT SIDE PANEL | ?1.50MM????BLK?? | 1 |
| | 4 | MT1018025801 | | RIGHT SIDE PANEL | ?1.50MM????BLK?? | 1 |
| | 5 | PL1617911700 | | VR SWITCH | ABS ??? | 2 |
| | 6 | PM2000000000 | | PLASTIC FOOT | BLK??,SR-80? | 4 |
| | 7 | PM2005017001 | | PLASTIC FOOT | F17*5*4mm | 4 |
| | 8 | PM1008008002 | | FOAM | 8*8*3mm,???? | 1 |
| | 9 | PM1008090000 | | FOAM | 90*8*2mm,????,?? | 2 |
| | 10 | PL2618040300 | | LENS | PC??? | 1 |
| | 11 | PL2718040100 | | LED BRACKET | ABS BLACK | 1 |
| | 12 | PL0118040300 | | PLATE | PA765+ SMOKY GRAY | 1 |
| | 13 | PL1717910100 | | SWITCH BUTTON | ABS RED | 1 |
| | 14 | PL1017911700 | | ?? | ABS SILIVER | 1 |
| | 15 | PL1117920501 | | LED COVER | PS SEMITRANSPARENT WHITE | 1 |
| ? | 16 | HS0818030100 | | LEFT HEAT SINK | ANODIZE ALUMUN BLK | 1 |
| | 17 | HS0818030101 | | RIGHT HEAT SINK | ANODIZE ALUMUN BLK | 1 |
| | 18 | PC5403071300 | | COPPER | ??M4*4?+M3*8??? | 6 |
| | 19 | PC5403071000 | | COPPER | ??M3*10 | 4 |
| | 22 | SC3005206110 | | SCREW | M3*5 ROUND BLK | 3 |
| | 21 | SC3006206110 | | SCREW | M3*6 ROUND BLK | 7 |
| | 31 | SC3008206110 | | SCREW | M3*8 ROUND BLK | 4 |
| | 32 | SC3008206120 | | SCREW | M3*8 ROUND ?? | 1 |
| | 29 | SC3010206110 | | SCREW | M3*12ROUND BLK | 8 |
| | 30 | SC3014206110 | | SCREW | M3*14 ROUND BLK | 1 |
| | 23 | SC4006206110 | | SCREW | M4*6 ROUND BLK | 4 |
| | 24 | SC4010206110 | | SCREW | M4*10 ROUND BLK | 16 |
| | 26 | SC3006203110 | | SCREW | M3*6 ?? BLK | 2 |
| | 20 | SC3006208110 | | SCREW | M3*6 ?? BLK | 16 |
| | 25 | SC4012208150 | | SCREW | M4*12 ?? ?? | 4 |
| | 28 | SC4014208110 | | SCREW | M4*14 ?? BLK | 4 |

| | | | | | | |
|---|----|--------------|--|-------------|--------------------------|----|
| ? | 33 | SC4006212130 | | SCREW | M4*6 ???(??) ?? | 4 |
| ? | 27 | SC3006102210 | | SCREW | 3*6 ????? BLK | 10 |
| | 34 | MS2113055250 | | NUT | M3 BLK | 1 |
| | 35 | MS2133055250 | | NUT | M3 NICKEL | 1 |
| | 36 | MS2114070300 | | NUT | M4BLK | 4 |
| | 37 | MS1114210100 | | FLAT WASHER | OD10*ID4.2*1.0THK BLACK | 4 |
| ? | 38 | MS1113210100 | | FLAT WASHER | OD10*ID3.2*1.0THK BLACK | 9 |
| | 39 | MS1113208080 | | FLAT WASHER | OD8*ID3.2*0.8THK BLACK | 4 |
| | 40 | MS1113206030 | | FLAT WASHER | OD6*ID3.2*0.3THK BLACK | 3 |
| | 41 | MS1123210100 | | STAR WASHER | OD10*ID3.2*1.0THK ??? | 1 |
| ? | 42 | MS1324210100 | | STAR WASHER | OD10*ID4.2*1.0THK ?? ??? | 4 |
| | | | | | | |

BOM

| BOM | | | | | |
|-----|---------|--------------|--------------------|---|------|
| | | | | PE-QT-016-A | |
| ? | PRODUCT | | HOME AMP | MODEL RA300(2*150W) PACKAGE | PAGE |
| ? | NO. | PART NO. | MATERIAL | SPECIFICATION | QTY |
| ? | 1 | PW3112220000 | POWER SUPPLY CABLE | 3PIN DOUBLE INSULATE ULPOWER CABLE, 18#,21-00628-02 | 1 |
| | 2 | PA1120280300 | PE BAG | 120*280*0.1mm | 1 |
| | 3 | PA1370660300 | PE BAG | 370*660*0.1mm | 1 |
| | 4 | PA1240350300 | PE BAG | 240*350*0.1mm | 1 |
| | 5 | PA1060120100 | PE BAG | 60*120*0.06mm | 1 |
| | 6 | LB1797020000 | MANNUAL | RA???? | 1 |
| | 7 | LB1791020000 | WARRANTY CARD | ?? | 1 |
| | 8 | LB1790020001 | SERVICE ADRESS | ?? | 1 |
| | 9 | LB1790020000 | ??? | ?? | 1 |
| ? | 10 | PR1790600000 | MODEL STIKER | ?? | 1 |
| | 11 | LB1790020002 | COLOR PAPER | ??? | 1 |
| | 13 | PR1800200000 | BAR CORD(LARGE) | ?? | 2 |
| * | 14 | PR1800200001 | BAR CORA(SMALL) | ?? | 6 |
| | 15 | PR1790000001 | QC LABEL | ?? | 1 |
| | 16 | PR1790000000 | GND STIKER | | 1 |
| | 17 | PR0001100000 | ORIGINAL STIKER | MADE IN CHINA | 1 |
| | 18 | AS0200000000 | DESICCANT | | 2 |
| | 19 | XB1800705000 | POLY FOAM | RA300 | 2 |
| | 20 | XB1800300000 | GIFT BOX | RA300 | 1 |
| ? | 21 | XB1800420000 | CARTON | RA300 | 1/2 |