

SERVICE MANUAL

STEREO TURNTABLE SYSTEM

SPECIFICATIONS

Motor	DC servo motor
Drive system	Belt drive
Speed	33-1/3 rpm, 45 rpm
Wow & flutter	0.25% (WRMS)
S/N ratio	45 dB (DIN-B)
Cartridge type	VM type
Stylus	AIWA AN-11
Output level	200 mV (2.5 mV/sw. OFF)
Dimensions	Approx. 360 × 97 × 358 mm (w/h/d)
Weight	Approx. 2.4 kg net
Power requirement	230 – 240 V AC, 50 Hz
Power consumption	3 watts

Design and specifications subject to change without notice.

This Service Manual is the "Revision Publishing" and replaces "Simple Manual"
PX-E860<KST>(S/M Code No.09-993-322-0T1).

ADJUSTMENT

1. Auto Return Adjustment.

Test Record (HP - 4005)

Adjustment	Count
Auto Return	9 - 12

2. Auto Lead-in Adjustment.

Test Record (HT - 5 side1)

Adjustment	Disk Size	Count
Auto Lead-in	30cm	13 - 17
	17cm	13 - 16

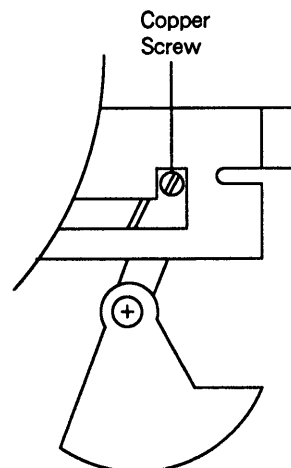
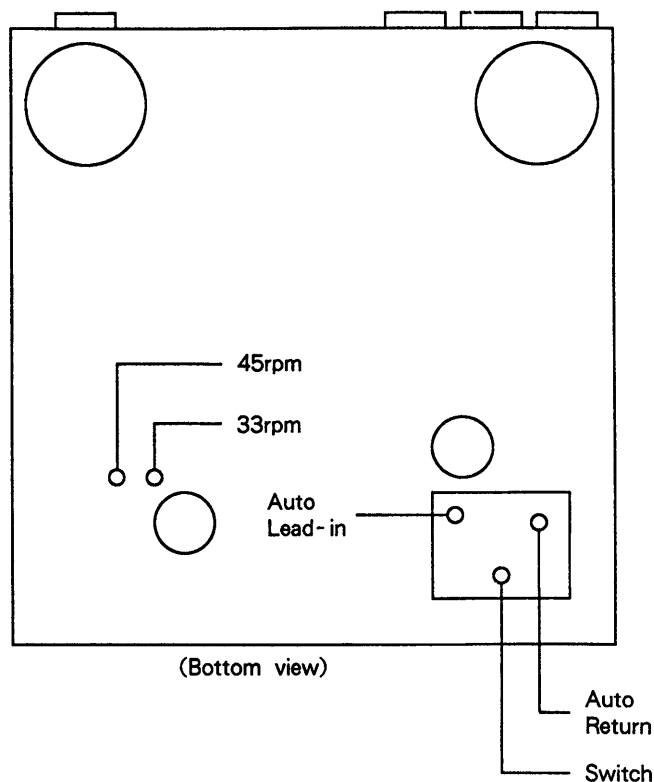
3. Phono Motor Speed Adjustment.

Test Record (HP - 4005)

33rpm	3000Hz
45rpm	3000Hz

4. Switch Adjustment.

- (1). Fix tonearm on armrest, remove bottom cover.
- (2). Turn the switch adj. screw so that the plastic tip touches the center position of leaf switch.
- (3). Turn the copper screw so that the gap between two contact point on the leaf switch is from 0.35mm to 0.8mm.



PRACTICAL SERVICE FIGURE

< Turntable Section >

Wow & flutter : Less than 0.23% (WRMS)

< Cartridge Section >

Stylus trip : 0.6mil

Stylus pressure : 3.5g

Output voltage : 127~262mV

ELECTRICAL MAIN PARTS LIST

DESCRIPTIONで判断できない物は "REFERENCE NAME LIST" を参照してください。
If can't understand for Description please kindly refer to "REFERENCE NAME LIST".

REF. NO	PART NO.	KANRI NO.	DESCRIPTION
---------	----------	-----------	-------------

IC

	87-027-683-010	IC,TA7325	
--	----------------	-----------	--

DIODE

	87-001-783-080	DIODE,1N4002	
--	----------------	--------------	--

PRE AMP C.B

	S8-E27-BK0-190	SIGNAL WIRE	
C102	87-015-995-810	CAP,E 4.7-50V	
C104	87-010-412-010	CAP,E 10-25V	
C107	87-015-995-810	CAP,E 4.7-50V	
C202	87-015-995-810	CAP,E 4.7-50V	
C204	87-010-412-010	CAP,E 10-25V	
C207	87-015-995-810	CAP,E 4.7-50V	
C301	87-010-564-010	CAP,E 100-16V	
C302	87-010-564-010	CAP,E 100-16V	
SW101	S3-PXE-900-280	SLIDE SWITCH	

POWER C.B

C1	87-010-237-010	CAP,E 1000UF/16V M	
----	----------------	--------------------	--

ACCESSORIES LIST

DESCRIPTIONで判断できない物は "REFERENCE NAME LIST" を参照してください。
If can't understand for Description please kindly refer to "REFERENCE NAME LIST".

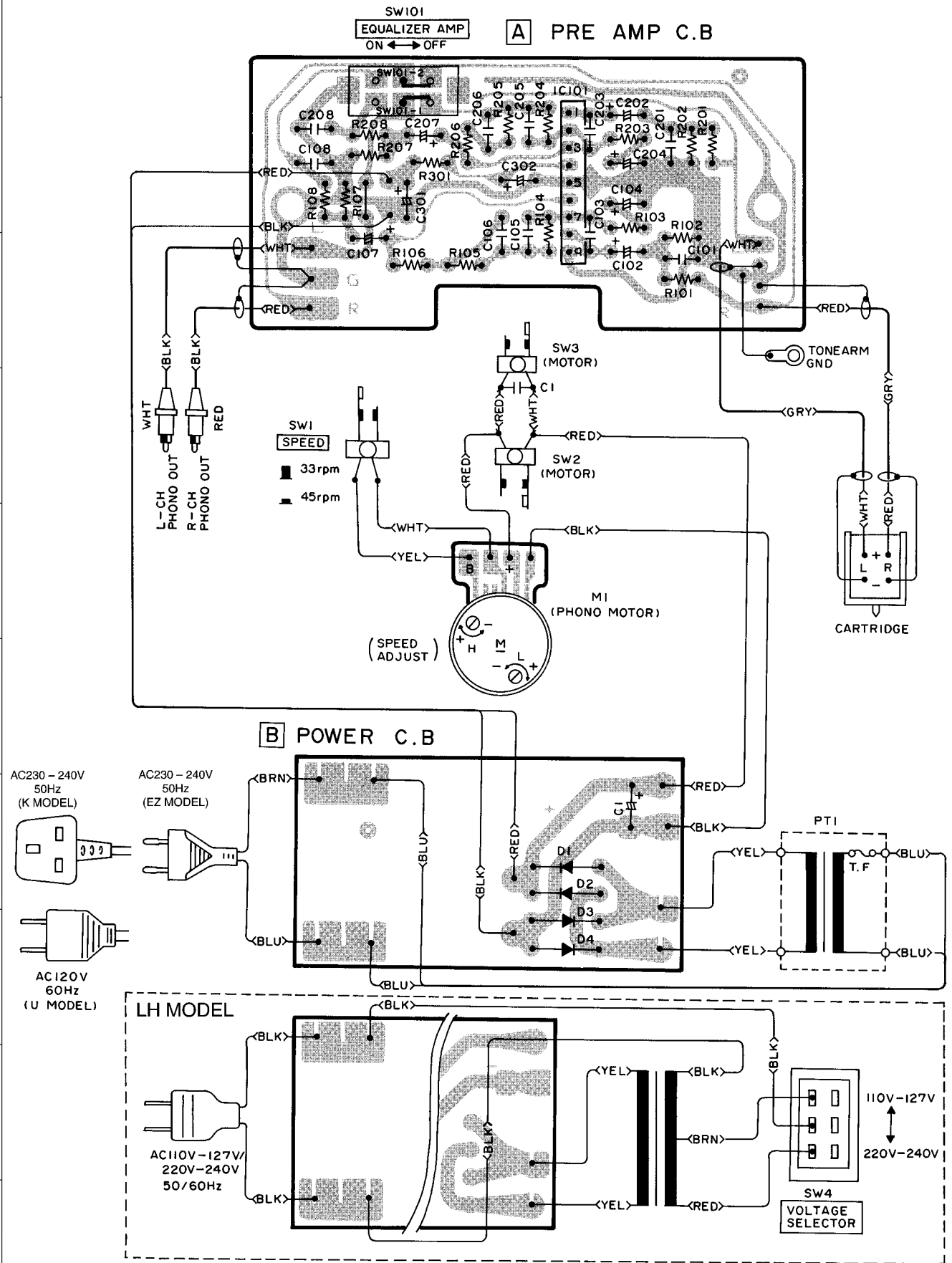
REF. NO	PART NO.	KANRI NO.	DESCRIPTION
---------	----------	-----------	-------------

1	S0-0H2-000-160	ADAPTOR 45RPM	
2	S8-60E-1C7-500	INSTRUCTION BOOK(PXE860EZ)<EZ>	
2	SE-860-KC7-530	INSTRUCTION BOOK(PXE860K)<K>	
2	SE-860-UC7-520	INSTRUCTION BOOK(PXE860U)<U>	
3	SX-E85-5E6-050	INSTRUCTION BOOK<EZ>	

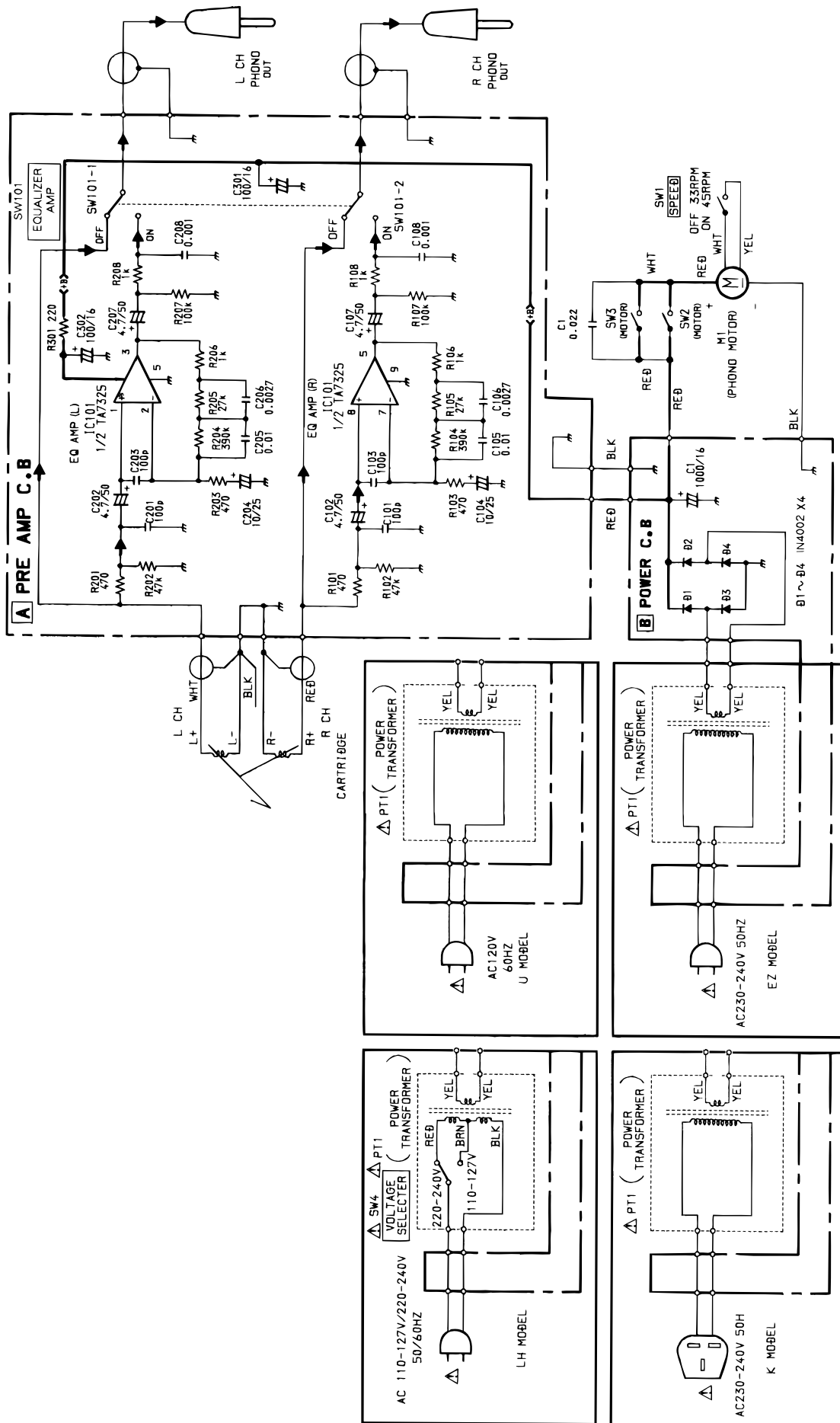
WIRING

1 2 3 4 5 6 7

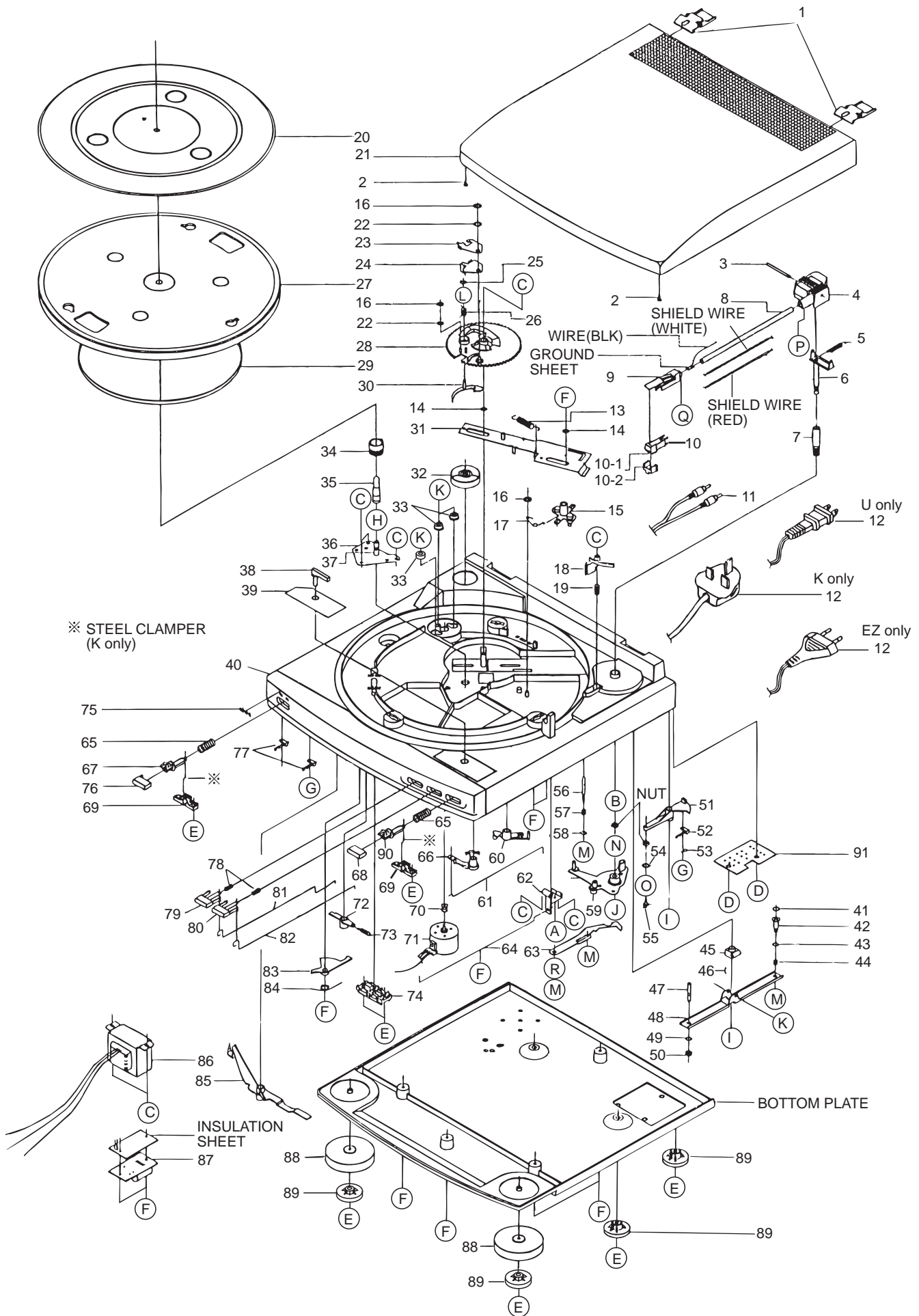
A
B
C
D
E
F
G
H
I
J



SCHEMATIC DIAGRAM



MECHANICAL EXPLODED VIEW 1/1



MECHANICAL MAIN PARTS LIST 1/1

DESCRIPTIONで判断できない物は "REFERENCE NAME LIST" を参照してください。
 If can't understand for Description please kindly refer to "REFERENCE NAME LIST".

REF. NO	PART NO.	KANRI NO.	DESCRIPTION	REF. NO	PART NO.	KANRI NO.	DESCRIPTION
1	S0-3B6-000-260		HINGE ASS'Y	67	S0-0B6-001-390		KNOB SHAFT
2	S4-B60-002-6A0		FOOT FOR DUST COVER(PXE850)	68	SP-EX8-509-000		CUE,KNOB(PXE860)
3	S0-SL2-4F1-180		PIN (FOR TONEARM SET)	69	S0-0F7-002-590		KNOB SET
4	S0-SL2-4F2-310		TONE ARM SET	70	S0-0L1-001-330		PULLEY
5	S3-SL2-4F0-830		SPRING	71	S0-1H7-030-380		MOTOR MMI-6T2RWK
6	S3-SL2-4F0-560		ROTARY SHAFT ASSY	72	S0-SL2-4F2-400		PENDULUM(S)
7	S0-SL2-4F1-070		TONE ARM SHAFT SET	73	S3-SL2-4F0-660		SPRING
8	S0-SL2-4F1-320		TONE ARM TUBE	74	S0-0B6-001-440		PRESS SET
9	S0-SL3-4F2-320		HEADSHELL	75	SP-XE8-508-500		DECORATIVE PLATE
10	S2-E27-BK0-480		CARTRIDGE(W/STYLUS)	76	S8-60L-HA8-970		SPEED KNOB(PXE860)
10-1S1-E27-BK0-230			STYLUS	77	S3-SL2-4F0-110		MICRO SWITCH
10-2S0-0B6-011-800			STYLUS COVER	78	S3-SL2-4F0-760		SPRING
11	S8-E27-BK0-190		SIGNAL WIRE	79	SP-XE8-508-980		START KNOB(PXE860)
12	S0-930-040-160		AC CORD(E)<EZ>	80	SP-XE8-508-990		CUT KNOB(PXE860)
▲	12	SH-MD5-00B-037	AC CORD(K)<K>	81	SP-XE8-501-820		SPR
▲	12	SC-132-0FA-034	AC CORD(U)<U>	82	SP-XE8-501-830		SPR
13	S3-SL2-4F0-670		SPRING	83	S0-SL2-4F2-340		PENDULUM(L)
14	S0-SL2-4F1-17A		COPPER WASHER	84	S3-SL2-4F0-680		SPRING
15	S0-SL2-4F2-470		SELECT PLATE	85	S0-SL2-4F2-430		STATING SUPPORT
16	S0-6F2-000-130		CS WASHER (3M/M)	▲	86	S1-PXE-850-068	POWER TRANS(EZ)<EZ>
17	S3-SL2-4F0-690		SPRING	▲	86	SP-XE8-50K-070	POWER TRANS(K)<K>
18	S0-SL2-4F2-380		LIFTER	▲	86	SP-XE8-50U-067	POWER TRANS(U)<U>
19	S0-3MD-260-590		SPRING	▲	87	_____	POWER P.C.B Assy
20	S4-PXE-900-720		PLATTER MAT	88	S0-PXE-903-320		FOOT RING
21	SP-XE8-508-950		DUST COVER	89	S4-SL2-4F0-360		RUBBER FOOT
22	S6-SL2-4F0-570		WASHER METAL 3-10-0.5	90	S8-60K-C18-060		CUE KNOB SHAFT BASE(PXE860)
23	S0-SL2-4F1-300		FRICTION LINK	91	_____		DUAL PREAMP P.C.B
24	S0-SL2-4F1-310		ACTUATING LINK	A	87-741-072-410		SCREW,UT2+2.6-5
25	S0-6B3-000-290		E-RING WASHER 1.5MM	B	S6-SL2-4F0-550		WASHER
26	S3-SL2-4F0-770		SPRING	C	87-761-095-410		SCREW VFT2+3-8
27	S0-0F7-002-280		PLATTER TARNTABULE	D	87-751-095-410		SCREW VT2+3-8
28	S0-SL2-4F2-480		CAM GEAR	E	87-761-097-410		SCREW VFT2+3-12
29	S4-PXE-900-760		BELT	F	87-751-096-410		SCREW VT2+3-10
30	S3-SL2-4F0-500		CAM GEAR CONTROL ASSY	G	87-751-074-410		SCREW VT2+2.6-8
31	S3-SL2-4F0-490		RETURN LINK ASS'Y	H	S2-SL2-4F0-930		SCREW
32	S0-0H2-000-160		ADAPTOR 45RPM	I	87-761-096-410		SCREW VFT2+3-10
33	S4-SL2-4F0-380		RUBBER FOOT FOR MOTOR	J	87-481-097-410		SCREW VWS+3-12
34	S0-SL2-4F2-440		SMALL GEAR	K	87-481-103-410		SCREW VWS+3-24
35	S2-PXE-900-090		PLATER SHAFT ASS'Y	L	S0-6F2-000-060		WASHER
36	S3-SL2-4F0-510		PLATE SHAFT SET ASY	M	S0-6F2-000-110		E-RING WASHER (3M/M)
37	S0-7B6-000-020		STEEL BALL	N	S0-6F2-000-120		E-RING WASHER (5M/M)
38	S0-SL2-4F2-360		SELECT RECORD KNOB	O	S6-SL2-4F0-580		WASHER
39	SP-EX8-508-500		DECORATIVE PLATE	P	87-261-097-410		SCREW V+3-12
40	S8-55L-HA8-940		BASE	Q	87-261-074-410		SCREW,V+2.6-8
41	S4-SL2-4F0-390		RUBBER CAP	R	S6-DP3-6F0-640		WASHER\
42	S0-SL2-4F1-140		SHAFT				
43	S6-SL2-4F0-560		WASHER METAL 5-8-0.5				
44	S3-SL2-4F0-780		SPRING				
45	S0-SL2-4F2-410		LIFTER SET				
46	S3-SL2-4F0-720		SPRING				
47	S0-SL2-4F1-120		SHAFT				
48	S3-SL2-4F0-520		CUEING LEVER ASSY				
49	S0-6B3-000-390		SPRING WASHER METAL 3-5-1				
50	S1-A10-000-400		NUT				
51	S0-SL2-4F2-390		FIEXING SWITCH SET				
52	S3-SL2-4F0-160		SW,MICRO				
53	_____		CONDENSOR				
54	S0-6D2-000-510		SPRING WASHER METAL 3-6-1				
55	S0-SL2-4F1-130		SHAFT				
56	S0-SL2-4F1-160		SHAFT				
57	S3-SL2-4F0-790		SPRING				
58	S0-6H2-000-190		WASHER METAL 3-5-1				
59	S0-SL2-4F2-420		STATING LEVER				
60	S0-SL2-4F2-350		PENDULUM(M)				
61	S0-3L1-001-030		SPRING				
62	S0-0F7-002-720		OIL SHAFT SET				
63	S0-SL2-4F1-260		CONTROL PLATE				
64	SP-XE8-501-840		SPR, FOR CUE				
65	S0-3B6-000-400		SPRING				
66	S0-SL2-4F2-450		SELECTOR				

COLOR NAME TABLE

Basic color symbol	Color	Basic color symbol	Color	Basic color symbol	Color
B	Black	C	Cream	D	Orange
G	Green	H	Gray	L	Blue
N	Gold	P	Pink	R	Red
S	Silver	ST	Titan Silver	T	Brown
V	Violet	W	White	Y	Yellow

サービス技術ニュース	
番号	連絡内容
G- -	
G- -	
G- -	

アイワ株式会社 〒110 東京都台東区池之端1-2-11 ☎03 (3827) 3111 (代表)
AIWA CO.,LTD. 2-11, IKENOHATA 1-CHOME, TAITO-KU, TOKYO 110, JAPAN TEL:03 (3827) 3111