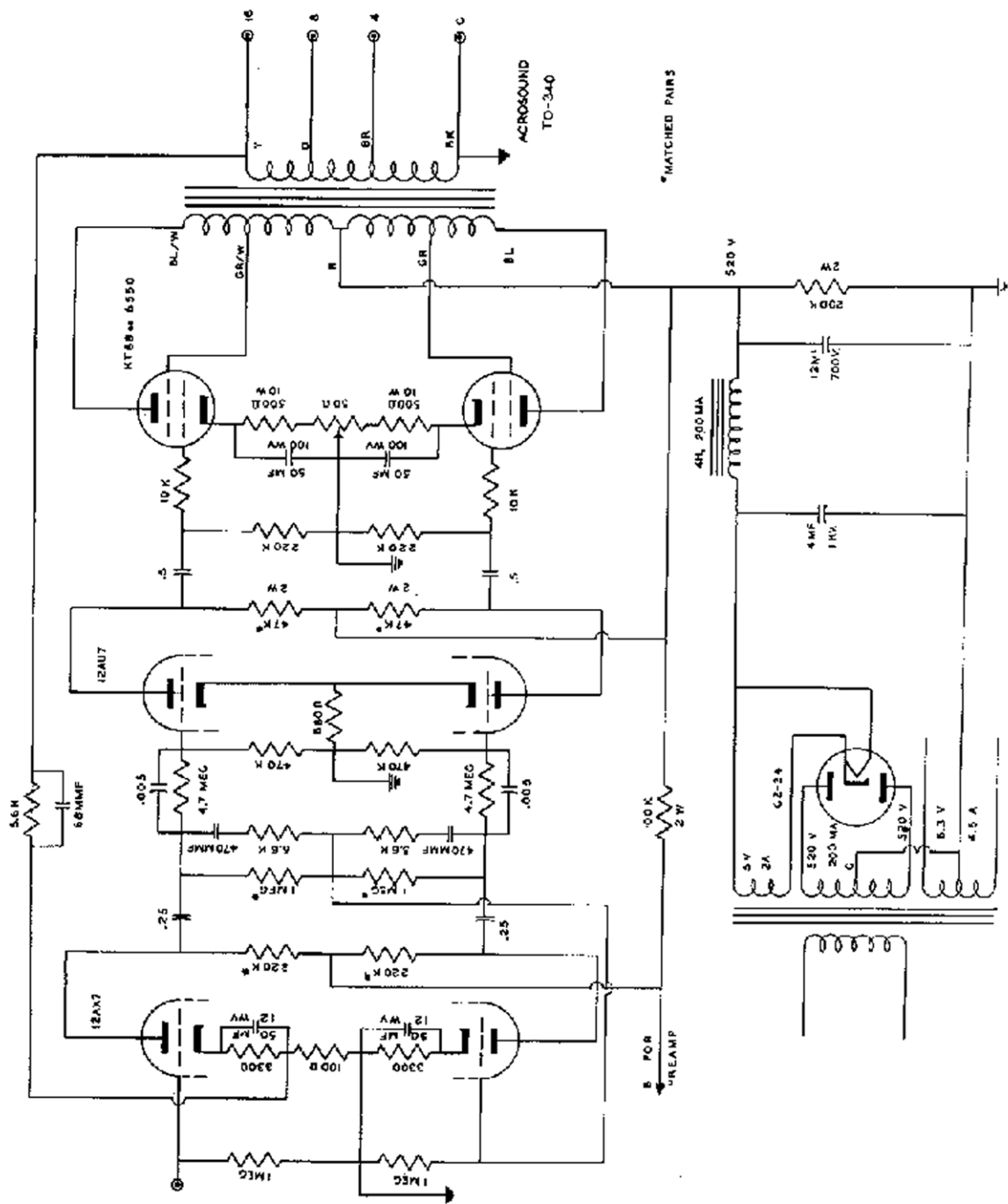


KT88 AMPLIFIER USING THE TO-340 TRANSFORMER



**Acro KT88
Self-Bias**