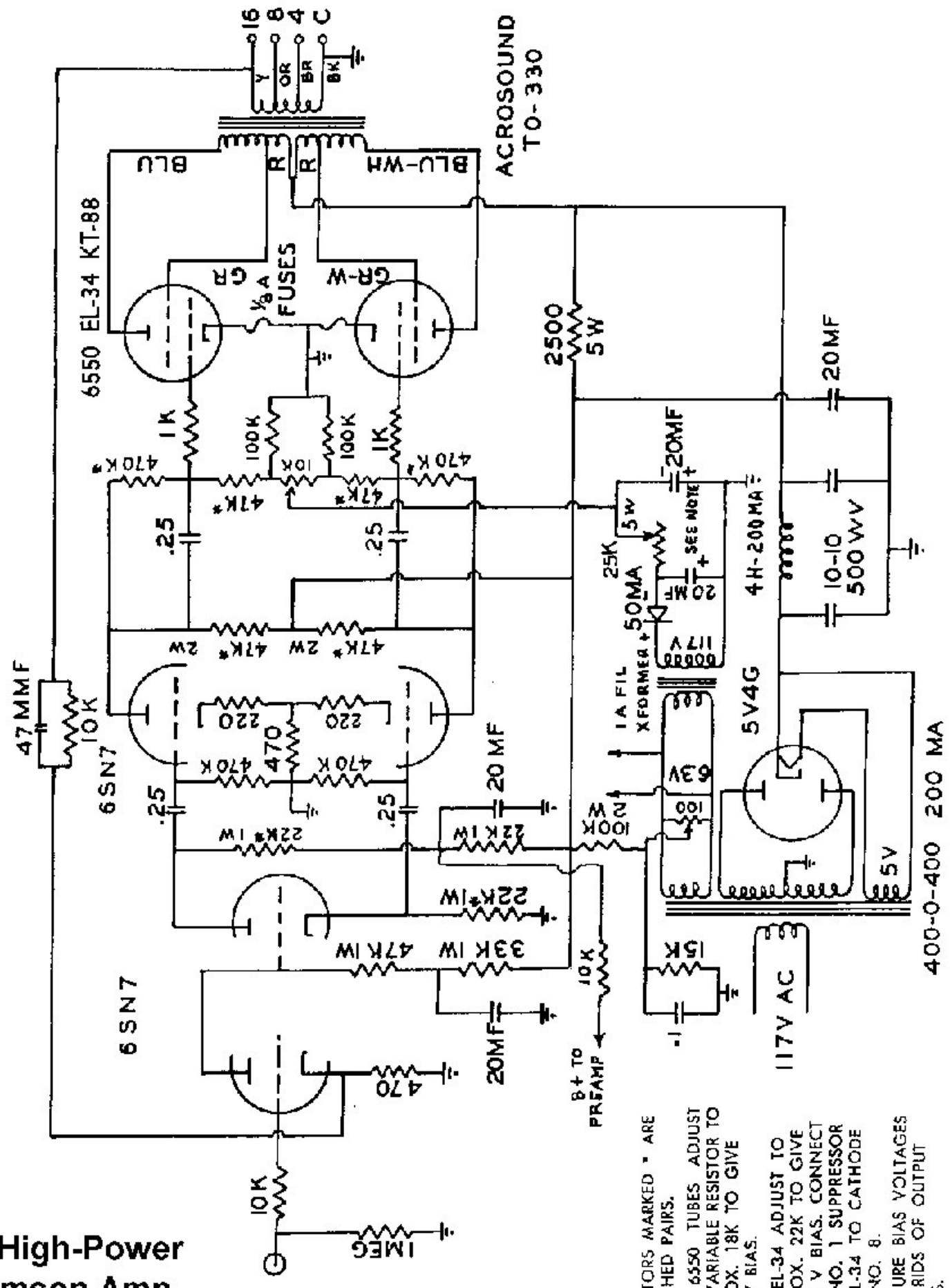


# Acro High-Power Williamson Amp

HIGH POWER ULTRA-LINEAR WILLIAMSON  
 60 WATTS WITH 6550, KT-88  
 50 WATTS WITH 6CA7/EL-34



RESISTORS MARKED \* ARE MATCHED PAIRS.  
 FOR 6550 TUBES ADJUST 25K VARIABLE RESISTOR TO APPROX. 18K TO GIVE -48V BIAS.  
 FOR EL-34 ADJUST TO APPROX. 22K TO GIVE -38 V BIAS. CONNECT PIN NO. 1 SUPPRESSOR OF EL-34 TO CATHODE PIN NO. 8.  
 MEASURE BIAS VOLTAGES AT GRIDS OF OUTPUT TUBES.