

Left

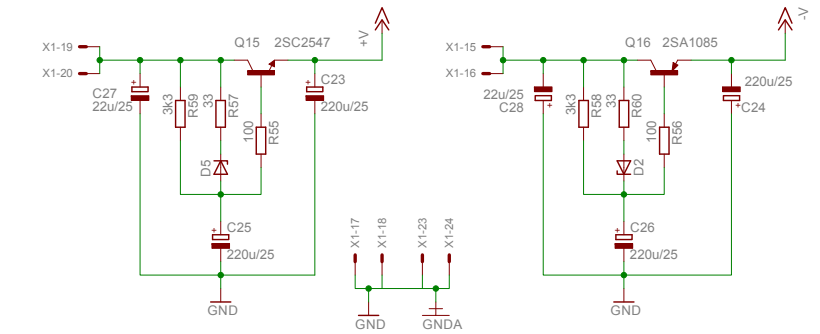
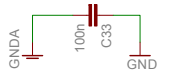
Same schematic for right channel

Part naming left# + 1  
R1 Left becomes R2 Right



- RX 1% tolerance
- RY 5% tolerance
- CX 1% tolerance
- CY Mylar (Polyester) +/-5%

- Con 32Pol X1-1
- X1-2
- X1-3
- X1-4
- X1-5
- X1-6
- X1-7
- X1-8
- X1-9
- X1-10
- X1-11
- X1-12
- X1-13
- X1-14



S1 MM-MC

All ON	MC
All OFF	MM

S3 MC Load

1,2 ON	10
3,4 ON	30
All OFF	100

S5 Subsonic On/Off

All ON	ON
All OFF	OFF

25Hz / -12dB/Oct

Always set SW for both channel to same position

Reengineering from PCB  
No official schematic!  
NO WARRANTY !!

**Accuphase AD-9**

TITLE: Accuphase-09

Document Number: **KK160129-AD-9**      REV: 0.0.1

Date: 01.02.2016 09:08:39      Sheet: 1/1