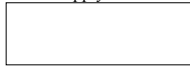


Power supply and Meters
Power supply and Meters.Sch




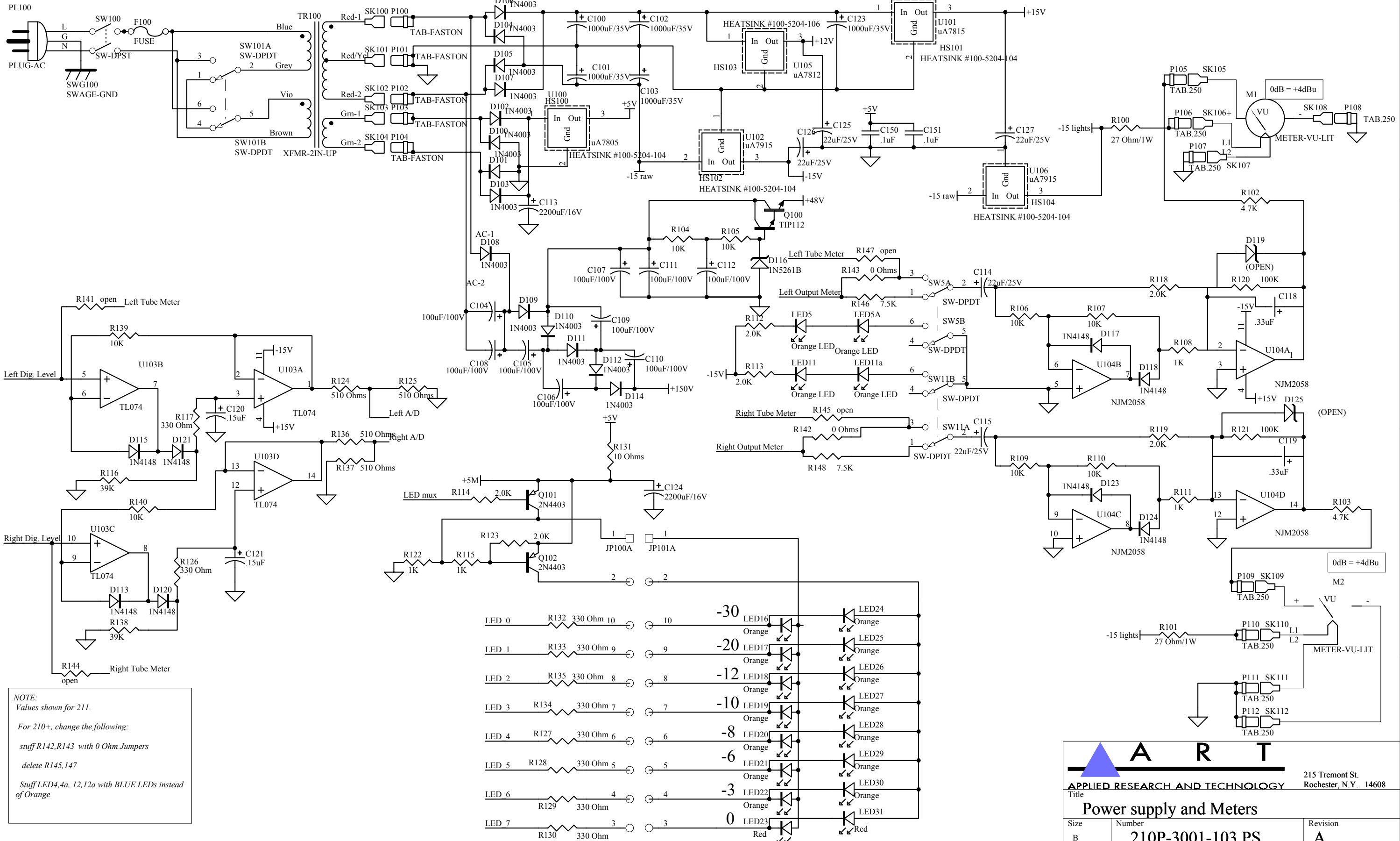
Mic/Inst. Input Section
Input.Sch



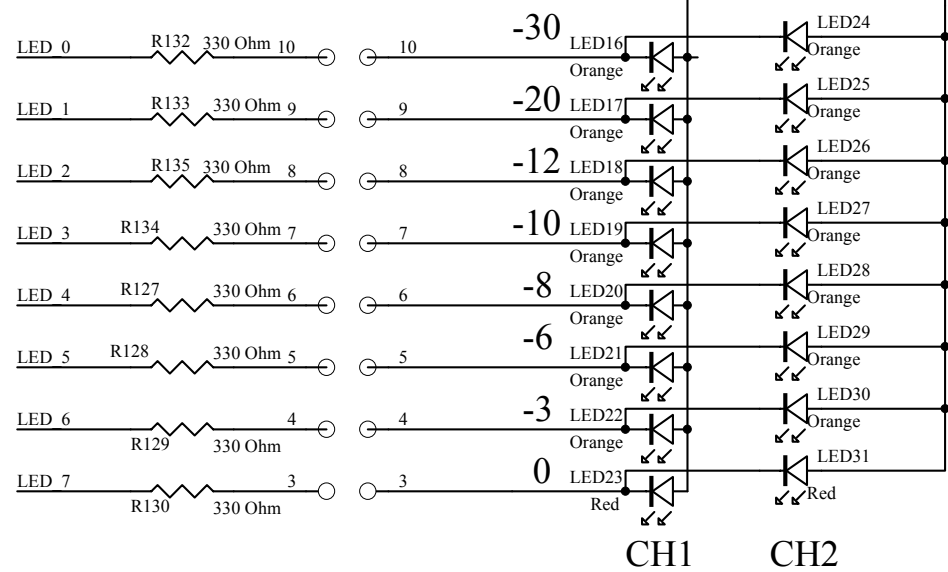
Tube and Analog Ouput
tube and output.sch



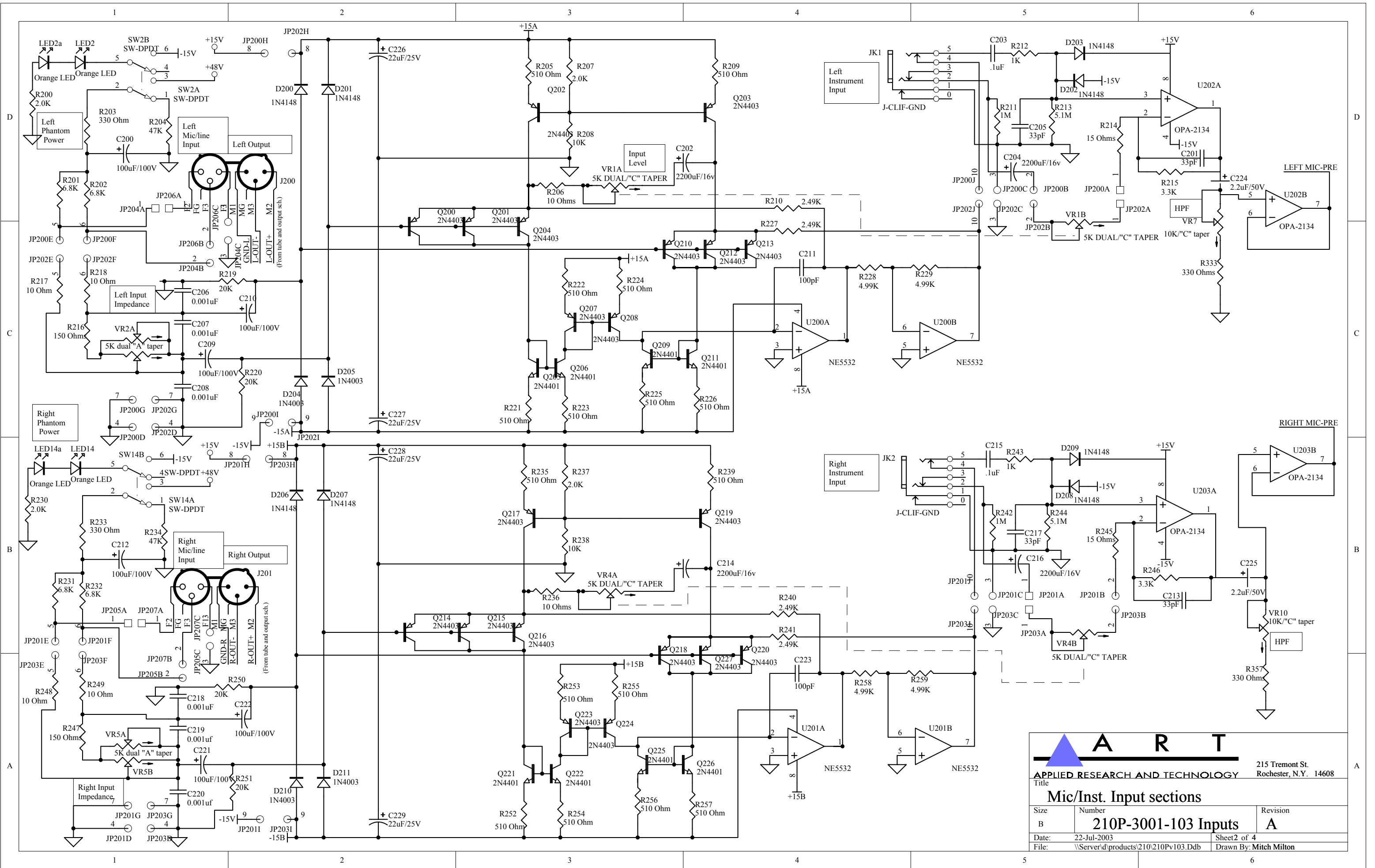
		215 Tremont St. Rochester, N.Y. 14608	
		APPLIED RESEARCH AND TECHNOLOGY	
MPA GOLD block diagram			
Size B	Number 210P-3001-103	Revision A	
Date:	22-Jul-2003	Sheet 0 of 4	
File:	\\Server\d\products\210\210Pv103.Ddb	Drawn By: Mitch Milton	



NOTE:
 Values shown for 211.
 For 210+, change the following:
 stuff R142,R143 with 0 Ohm Jumpers
 delete R145,147
 Stuff LED4,4a, 12,12a with BLUE LEDs instead
 of Orange



ART		
APPLIED RESEARCH AND TECHNOLOGY		
		215 Tremont St. Rochester, N.Y. 14608
Title Power supply and Meters		
Size B	Number 210P-3001-103 PS	Revision A
Date: 22-Jul-2003	Sheet 1 of 4	
File: \\Server\d\products\210\210Pv103.Ddb	Drawn By: Mitch Milton	



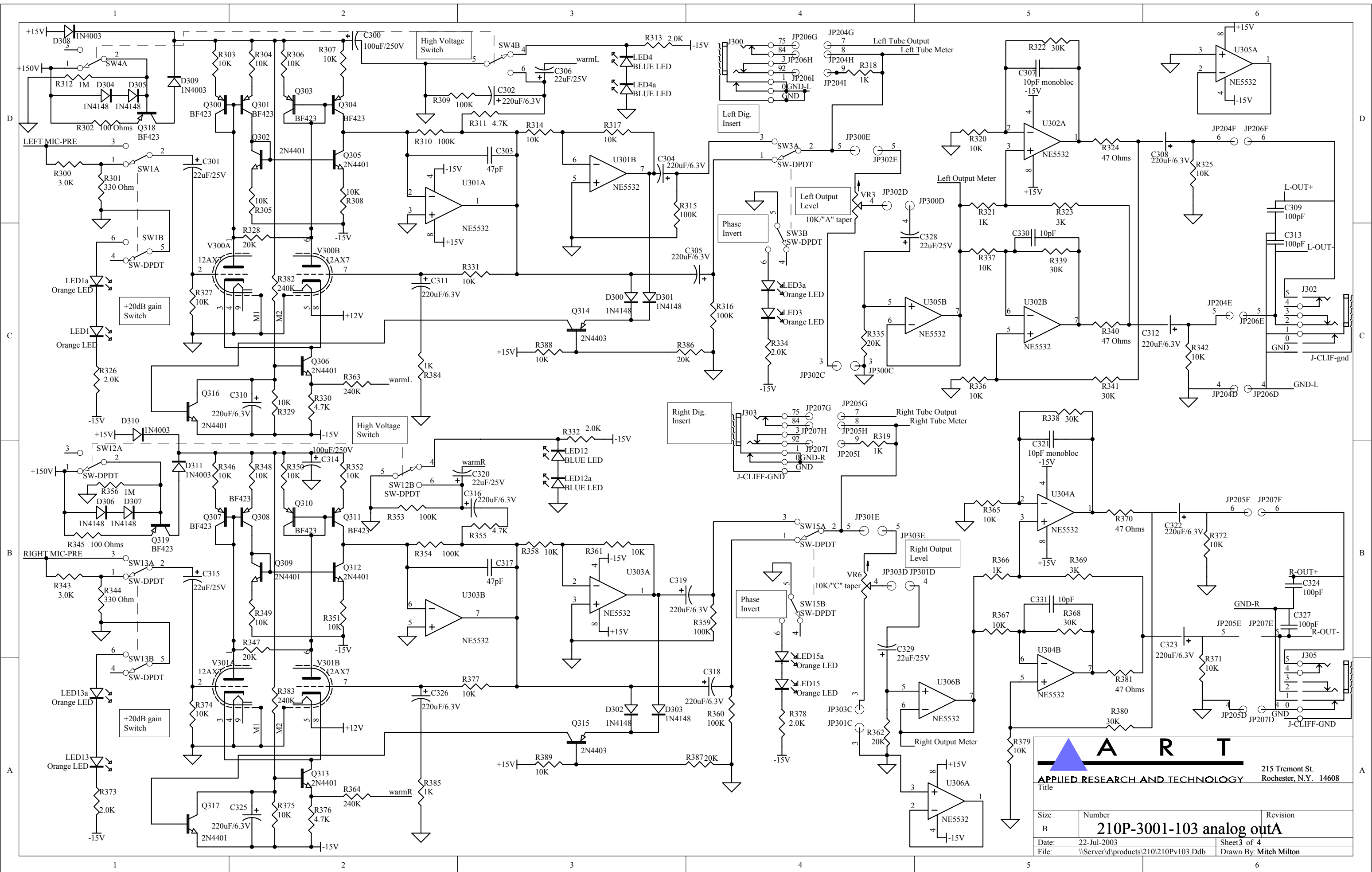
A R T

APPLIED RESEARCH AND TECHNOLOGY

215 Tremont St.
Rochester, N.Y. 14608

Title: **Mic/Inst. Input sections**

Size	Number	Revision
B	210P-3001-103 Inputs	A
Date:	22-Jul-2003	Sheet 2 of 4
File:	\\Server\d\products\210\210Pv103.Ddb	Drawn By: Mitch Milton



A R T

APPLIED RESEARCH AND TECHNOLOGY

215 Tremont St.
Rochester, N.Y. 14608

Size	Number	Revision
B	210P-3001-103 analog outA	
Date:	22-Jul-2003	Sheet 3 of 4
File:	\\Server\d\products\210\210Pv103.Ddb	
	Drawn By: Mitch Milton	